

# Rotating LED Tower Light

# KES

- 80 mm
- IP23
- Indoor/Outdoor Use
- Upright Mounting
- Ambient Temperature -30C~+60C
- Red, Amber, Green
- Motorized Rotation
- 85dB
- 1 Alarm Sound



KES Type  
KESB Type (with buzzer)

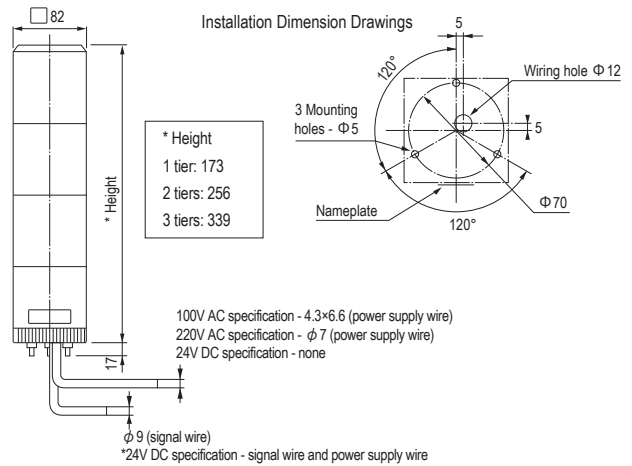
## Model Number Configuration

# KESB-302-RYG

- ①
- ②
- ③
- ④

① Buzzer Blank = None B = Buzzer	② Number of Tiers 1 = 1 Tier 2 = 2 Tiers 3 = 3 Tiers	③ Rated Voltage 02 = 24V DC 10 = 100V AC 20 = 220V AC	④ Color R = Red Y = Amber G = Green (Top to bottom)
--	---	--	---

## Dimensions (mm)



## Specification

<b>Supported Transistors</b>	NPN
<b>Alarm Tone</b>	Single tone (peak) (for KESB only)
<b>Volume Control</b>	Not adjustable

## Optional Parts

For details refer to P. 99 to P. 104

Product Description	Model Number
Wall Mount Bracket	SZ-007

## Product List

Model Number	Number of Tiers	Rated Voltage	Luminous Color	Power Consumption (KES)	Power Consumption (KESB)	Mass
KES(B)-102-R/Y/G	1	24V DC	Red / Amber / Green	5.5W	5.5W	0.4kg
KES(B)-110-R/Y/G	1	100V AC	Red / Amber / Green	6.4W	7.3W	0.8kg
KES(B)-120-R/Y/G	1	220V AC	Red / Amber / Green	6.4W	7.3W	0.8kg
KES(B)-202-RY/RG	2	24V DC	Red, Amber / Red, Green	10.5W	11.5W	1.0kg
KES(B)-210-RY/RG	2	100V AC	Red, Amber / Red, Green	10.5W	11.0W	1.4kg
KES(B)-220-RY/RG	2	220V AC	Red, Amber / Red, Green	10.5W	11.0W	1.4kg
KES(B)-302-RYG	3	24V DC	Red, Amber, Green	15.5W	16.5W	1.4kg
KES(B)-310-RYG	3	100V AC	Red, Amber, Green	14.0W	15.0W	1.8kg
KES(B)-320-RYG	3	220V AC	Red, Amber, Green	14.0W	15.0W	1.8kg

# Rotating Tower Light

# KJS

- 82 mm
- IP23
- Indoor/Outdoor Use
- Upright Mounting
- Ambient Temperature -30°C~+60°C
- Red, Amber, Green, Blue
- Motorized Rotation
- 85dB
- 1 Alarm Sound



KJS Type  
KJSB Type (with buzzer)

## Model Number Configuration

# KJSB-302-RYG

- ①      ②      ③      ④

① Buzzer	② Number of Tiers	③ Rated Voltage	④ Color
Blank = None	1 = 1 Tier	01 = 12V DC	R = Red    G = Green
B = Buzzer	2 = 2 Tiers	02 = 24V DC	Y = Amber    B = Blue
	3 = 3 Tiers	10 = 100V AC	(Top to bottom)
		20 = 220V AC	

## Optional Parts

For details refer to P. 99 to P. 104

Product Description	Model Number
Wall Mount Bracket	SZ-007

Bulb No.	Model Number
9	D01201003A-F1
10	D02401003A-F1
12	D01200503A-F1

## Specification

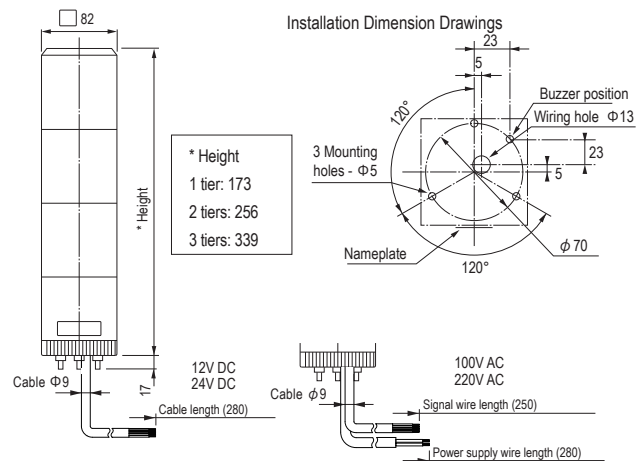
<b>Supported Transistors</b>	NPN
<b>Alarm Tone</b>	Single tone (peak) (for KJSB only)
<b>Volume Control</b>	Not adjustable

## Product List

Model Number	Number of Tiers	Rated Voltage	Bulb	No.	Luminous Color	Power Consumption (KJS)	Power Consumption (KJSB)	Mass
KJS(B)-101-R/Y/G/B	1	12V DC	12V 10W	9	Red/ Amber / Green / Blue	5.8W	6.1W	0.7kg
KJS(B)-102-R/Y/G/B	1	24V DC	24V 10W	10	Red/ Amber / Green / Blue	13.3W	14.4W	0.7kg
KJS(B)-110-R/Y/G/B	1	100V AC	12V 5W	12	Red/ Amber / Green / Blue	9.0W	9.5W	0.7kg
KJS(B)-120-R/Y/G/B	1	220V AC	12V 5W	12	Red/ Amber / Green / Blue	9.0W	9.5W	0.7kg
KJS(B)-201-RY/RG	2	12V DC	12V 10W	9	Red, Amber / Red, Green	11.5W	11.9W	1.2kg
KJS(B)-202-RY/RG	2	24V DC	24V 10W	10	Red, Amber / Red, Green	26.5W	27.6W	1.2kg
KJS(B)-210-RY/RG	2	100V AC	12V 5W	12	Red, Amber / Red, Green	17.2W	17.8W	1.2kg
KJS(B)-220-RY/RG	2	220V AC	12V 5W	12	Red, Amber / Red, Green	17.2W	17.8W	1.2kg
KJS(B)-301-RYG	3	12V DC	12V 10W	9	Red, Amber, Green	17.3W	17.6W	1.6kg
KJS(B)-302-RYG	3	24V DC	24V 10W	10	Red, Amber, Green	39.7W	40.9W	1.6kg
KJS(B)-310-RYG	3	100V AC	12V 5W	12	Red, Amber, Green	25.8W	26.4W	1.6kg
KJS(B)-320-RYG	3	220V AC	12V 5W	12	Red, Amber, Green	25.8W	26.4W	1.6kg

Bulb shape...Glass bulb G18 cap BA15S

## Dimensions (mm)



# Rotating Tower Light

# KJ

- 116 mm
- IP23
- Indoor/Outdoor Use
- Upright Mounting
- Ambient Temperature -30°C~+60°C
- Red, Amber, Green, Blue
- Motorized Rotation
- 85dB
- 1 Alarm Sound



KJ Type  
KJB Type (with buzzer)

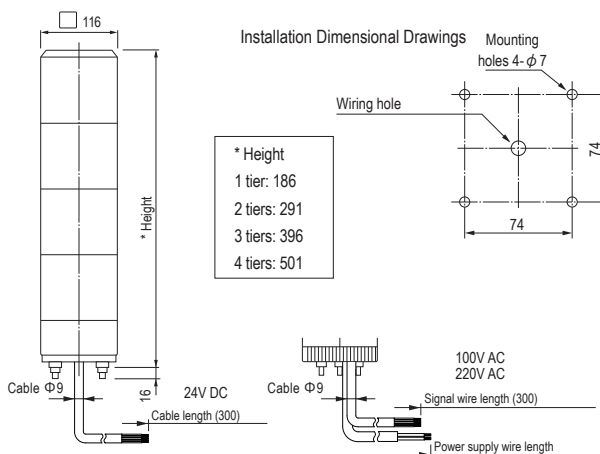
## Model Number Configuration

# KJB-420-RYGB

- ①
- ②
- ③
- ④

① Buzzer Blank = None B = Buzzer	② Number of Tiers 1 = 1 Tier 2 = 2 Tiers 3 = 3 Tiers 4 = 4 Tiers	③ Rated Voltage 02 = 24V DC 10 = 100V AC 20 = 220V AC	④ Color R = Red Y = Amber (Top to bottom) G = Green B = Blue
--	--	--	---

## Dimensions (mm)



## Optional Parts

For details refer to P. 99 to P. 104

Product Description	Model Number
Wall Mount Bracket	SZ-023
Wall Mount Bracket	SZ-008

Bulb Number	Model Number
10	D02401003A-F1
12	D01200503A-F1

## Specification

Supported Transistors	NPN
Alarm Tone	Single tone (peak) (KJB only)
Volume Control	Adjustable

## Product List

Model Number	Number of Tiers	Rated Voltage	Bulb	No.	Luminous Color	Power Consumption (KJ)	Power Consumption(KJB)	Mass
KJ(B)-110-R/Y/G/B	1	100V AC	12V 5W	12	Red/Amber/Green/Blue	7.5W	7.8W	1.2kg
KJ(B)-120-R/Y/G/B	1	220V AC	12V 5W	12	Red/Amber/Green/Blue	7.5W	7.8W	1.2kg
KJ(B)-202-RY/RG	2	24V DC	24V 10W	10	Red, Amber / Red, Green	26.6W	27.2W	1.5kg
KJ(B)-210-RY/RG	2	100V AC	12V 5W	12	Red, Amber/ Red, Green	12.5W	12.9W	2.0kg
KJ(B)-220-RY/RG	2	220V AC	12V 5W	12	Red, Amber/ Red, Green	12.5W	12.9W	2.0kg
KJ(B)-302-RYG	3	24V DC	24V 10W	10	Red, Amber, Green	40.0W	40.6W	2.0kg
KJ(B)-310-RYG	3	100V AC	12V 5W	12	Red, Amber, Green	17.3W	17.7W	2.5kg
KJ(B)-320-RYG	3	220V AC	12V 5W	12	Red, Amber, Green	17.3W	17.7W	2.5kg
KJ(B)-402-RYGB	4	24V DC	24V 10W	10	Red, Amber, Green, Blue	53.3W	53.9W	2.5kg
KJ(B)-410-RYGB	4	100V AC	12V 5W	12	Red, Amber, Green, Blue	22.1W	22.5W	3.0kg
KJ(B)-420-RYGB	4	220V AC	12V 5W	12	Red, Amber, Green, Blue	22.1W	22.5W	3.0kg



LAN / USB /  
PoE / Wireless

Signal Tower

Beacons

Cube Tower

Audible Alarms  
and MP3 Voice  
Annunciators

Hybrid Signaling  
Devices

LED Illumination

Explosion Proof

Optional Parts