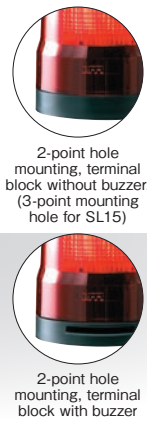
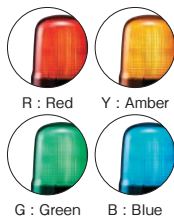


Flashing Beacons

SL New



2-point hole mounting, terminal block without buzzer. (3-point mounting hole for SL15)

2-point hole mounting, terminal block with buzzer

Φ80 mm	Φ100 mm	Φ150 mm	CE	RoHS 10	UL	FCC
ICES	KC	EAC	PSE	IP23 (JN)	IP66 (KT)	NEMA TYPE 4X,13
Indoor/Outdoor Use	Upright/Sideways/Inverted* Mounting	Ambient Temperature -20°C~+50°C	Red, Amber, Green, Blue	88dB	SL08:86dB	

*Indoor only



SL08: Φ80mm SL10: Φ100mm SL15: Φ150mm

●Use the optional rubber gasket to increase the IP rating from IP23 to IP65. (SL08, SL10 only)

Model Number Configuration

SL08-M1KTB-R

- ①
- ②
- ③
- ④

① Size 08 = Φ80mm 10 = Φ100mm 15 = Φ150mm ^{*1}	② Rated Voltage M1 = 12 - 24V DC M2 = 100 - 240V AC	③ Mounting / Wiring / Buzzer JN: 3-point bolt mounting / Cable / None KTN: 2-point hole mounting ^{*2} / Terminal block / None KTB: 2-point hole mounting / Terminal block / Buzzer	④ Color R = Red Y = Amber G = Green B = Blue ^{*1} JN / KTN only ^{*2} For SL15, 3-point hole mounting
------------------------------------------------------------------	-----------------------------------------------------------	------------------------------------------------------------------------------------------------------------------------------------------------------------------------------------------------------	----------------------------------------------------------------------------------------------------------------------------------------------

Specification

Supported Transistors	NPN	Alarm Sound	Single tone (peak)	Volume Control	None
------------------------------	-----	--------------------	--------------------	-----------------------	------

Product List

Model Number	Size (mm)	Rated Voltage	Wiring and Mounting	Alarm	Luminous Color	Power Consumption	Mass
SL08-M1JN-R/Y/G/B	Φ80	12 - 24V DC	Cable, 3-point bolt mounting	None	Red/ Amber/Green/Blue	2.9W	0.25kg
SL08-M1KTN-R/Y/G/B	Φ80	12 - 24V DC	Push-in terminal block, 2-point hole mounting	None	Red/ Amber/Green/Blue	2.9W	0.23kg
SL08-M1KTB-R/Y/G/B	Φ80	12 - 24V DC	Push-in terminal block, 2-point hole mounting	Yes	Red/ Amber/Green/Blue	3.4W	0.24kg
SL08-M2JN-R/Y/G/B	Φ80	100 - 240V AC	Cable, 3-point bolt mounting	None	Red/ Amber/Green/Blue	3.1W	0.28kg
SL08-M2KTN-R/Y/G/B	Φ80	100 - 240V AC	Push-in terminal block, 2-point hole mounting	None	Red/ Amber/Green/Blue	3.1W	0.26kg
SL08-M2KTB-R/Y/G/B	Φ80	100 - 240V AC	Push-in terminal block, 2-point hole mounting	Yes	Red/ Amber/Green/Blue	3.5W	0.27kg
SL10-M1JN-R/Y/G/B	Φ100	12 - 24V DC	Cable, 3-point bolt mounting	None	Red/ Amber/Green/Blue	2.9W	0.37kg
SL10-M1KTN-R/Y/G/B	Φ100	12 - 24V DC	Push-in terminal block, 2-point hole mounting	None	Red/ Amber/Green/Blue	2.9W	0.36kg
SL10-M1KTB-R/Y/G/B	Φ100	12 - 24V DC	Push-in terminal block, 2-point hole mounting	Yes	Red/ Amber/Green/Blue	3.4W	0.37kg
SL10-M2JN-R/Y/G/B	Φ100	100 - 240V AC	Cable, 3-point bolt mounting	None	Red/ Amber/Green/Blue	3.1W	0.40kg
SL10-M2KTN-R/Y/G/B	Φ100	100 - 240V AC	Push-in terminal block, 2-point hole mounting	None	Red/ Amber/Green/Blue	3.1W	0.38kg
SL10-M2KTB-R/Y/G/B	Φ100	100 - 240V AC	Push-in terminal block, 2-point hole mounting	Yes	Red/ Amber/Green/Blue	3.5W	0.40kg
SL15-M1JN-R/Y/G/B	Φ150	12 - 24V DC	Cable, 3-point bolt mounting	None	Red/ Amber/Green/Blue	4.8W	0.86kg
SL15-M1KTN-R/Y/G/B	Φ150	12 - 24V DC	Push-in terminal block, 3-point hole mounting	None	Red/ Amber/Green/Blue	4.8W	0.86kg
SL15-M2JN-R/Y/G/B	Φ150	100 - 240V AC	Cable, 3-point bolt mounting	None	Red/ Amber/Green/Blue	5.6W	0.89kg
SL15-M2KTN-R/Y/G/B	Φ150	100 - 240V AC	Push-in terminal block, 3-point hole mounting	None	Red/ Amber/Green/Blue	5.6W	0.89kg

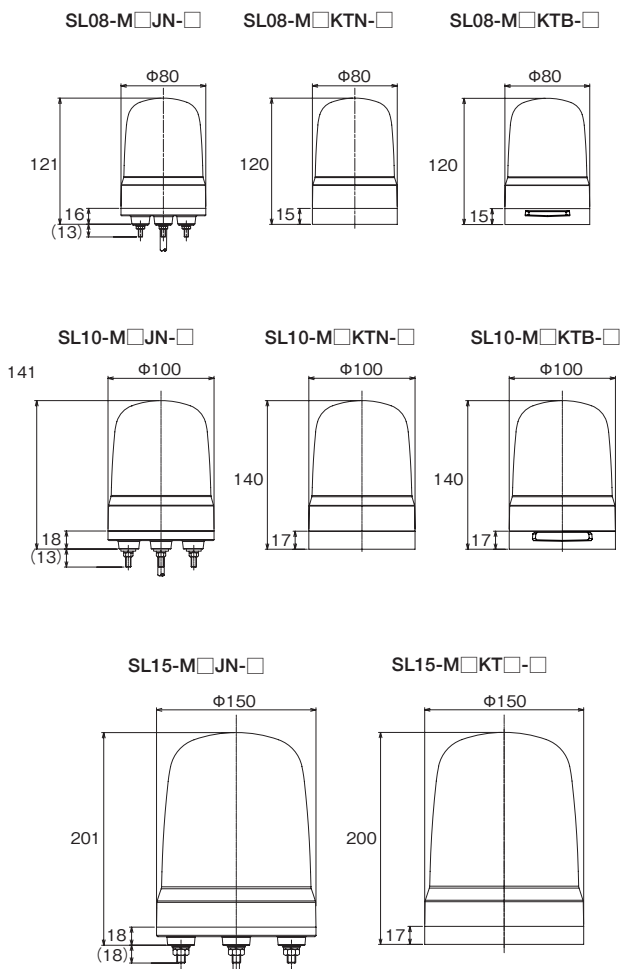
Product Description	Model Number
Wall mount waterproof bracket	SZK-101
Wall mount bracket	SZK-102
Wall mount bracket	SZK-103
Cover for wall mount bracket	SZK-104
Cover for wall mount bracket	SZK-105
Wall mount bracket	SZ-007
Wall mount bracket	SZ-008
Wall mount bracket	SZ-023

Product Description	Model Number
Ceiling mounting bracket	SZW-101
Mounting rubber gasket	SZW-102
Mounting rubber gasket	SZW-103
Pole mount bracket	SZP-101
1/2 in. NPT Bracket	SZP-102
1/2 in. NPT Bracket	SZP-103
1/2 in. NPT Bracket	SZP-104

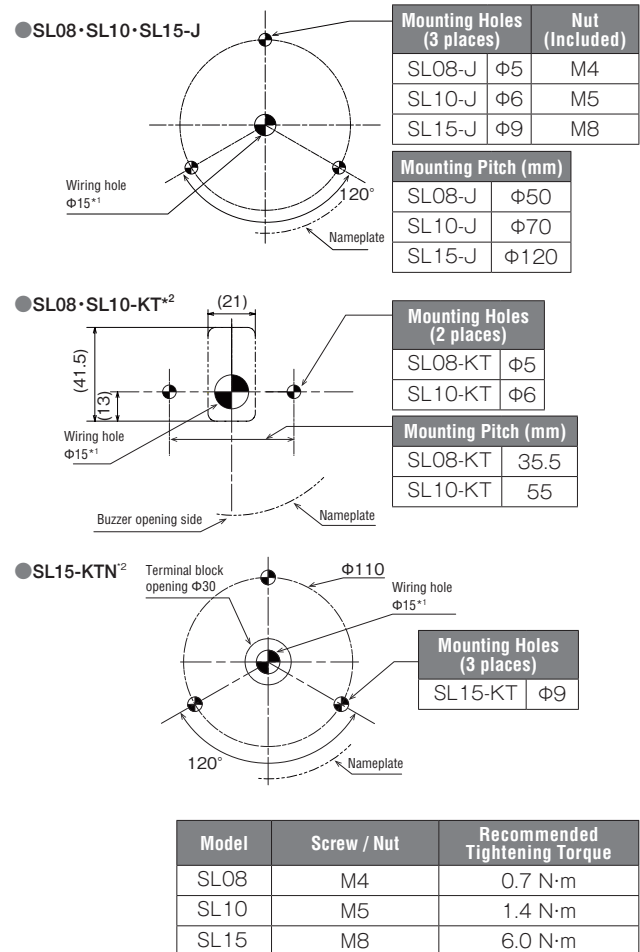
Light Pattern

CH1	CH2	CH1	CH2	CH1	CH2	CH1	CH2
OFF	OFF	ON	OFF	OFF	ON	ON	ON
Lights off		Continuous On		Blinking		Triple Flash	

Dimensions (mm)



Mounting Dimensional Drawing (mm)



* 1 Adjust hole size as needed.
 * 2 Mounting screws not included.

Rotating Beacons

SK New



Φ80 mm	Φ100 mm	Φ150 mm	CE	RoHS 10	UL
FCC	ICES	KC	EAC	PSE	IP23
Indoor/Outdoor Use	Upright/Sideways/Inverted* Mounting	Ambient Temperature -10°C--50°C	Red, Amber, Green, Blue	Motorized Rotation	88dB

*Indoor only



● Use the optional rubber gasket to increase the IP rating from IP23 to IP65. (SKS, SKH only)

Model Number Configuration

SKH-M1JB-R

- ①
- ②
- ③
- ④

① Size S = Φ80mm H = Φ100mm P = Φ150mm	② Rated Voltage / Wiring M1J = 12 - 24V DC / cable M1T = 12 - 24V DC / terminal block* M2J = 100 - 240V AC / cable M2T = 100 - 240V AC / terminal block*	③ Buzzer Blank = None B = Buzzer*	④ Color R = Red, Y = Amber G = Green, B = Blue
-------------------------------------------------	----------------------------------------------------------------------------------------------------------------------------------------------------------------------	-----------------------------------------	------------------------------------------------------

* SKH: Φ100mm only

Specification

Supported Transistors	None	Alarm Sound	Single tone (peak)	Volume Control	None
-----------------------	------	-------------	--------------------	----------------	------

Product List

Model	Size (mm)	Rated Voltage	Wiring	Alarm	Luminous Color	Power Consumption	Mass
SKS-M1J-R/Y/G/B	Φ80	12 - 24V DC	Cable	None	Red/ Amber/Green/Blue	2.9W	0.24kg
SKS-M2J-R/Y/G/B	Φ80	100 - 240V AC	Cable	None	Red/ Amber/Green/Blue	3.0W	0.27kg
SKH-M1J-R/Y/G/B	Φ100	12 - 24V DC	Cable	None	Red/ Amber/Green/Blue	2.9W	0.33kg
SKH-M1JB-R/Y/G/B	Φ100	12 - 24V DC	Cable	Yes	Red/ Amber/Green/Blue	3.6W	0.34kg
SKH-M1T-R/Y/G/B	Φ100	12 - 24V DC	Push-in terminal block	None	Red/ Amber/Green/Blue	2.9W	0.30kg
SKH-M1TB-R/Y/G/B	Φ100	12 - 24V DC	Push-in terminal block	Yes	Red/ Amber/Green/Blue	3.6W	0.31kg
SKH-M2J-R/Y/G/B	Φ100	100 - 240V AC	Cable	None	Red/ Amber/Green/Blue	3.0W	0.36kg
SKH-M2JB-R/Y/G/B	Φ100	100 - 240V AC	Cable	Yes	Red/ Amber/Green/Blue	3.3W	0.37kg
SKH-M2T-R/Y/G/B	Φ100	100 - 240V AC	Push-in terminal block	None	Red/ Amber/Green/Blue	3.0W	0.33kg
SKH-M2TB-R/Y/G/B	Φ100	100 - 240V AC	Push-in terminal block	Yes	Red/ Amber/Green/Blue	3.3W	0.34kg
SKP-M1J-R/Y/G/B	Φ150	12 - 24V DC	Cable	None	Red/ Amber/Green/Blue	2.9W	0.67kg
SKP-M2J-R/Y/G/B	Φ150	100 - 240V AC	Cable	None	Red/ Amber/Green/Blue	3.0W	0.70kg

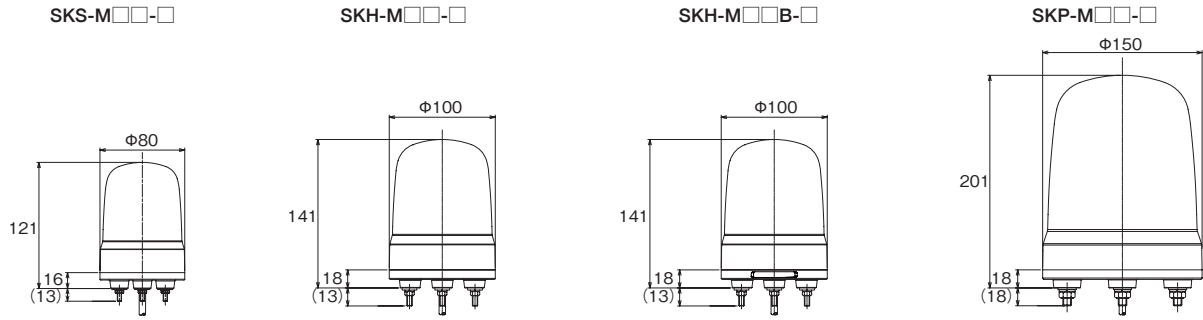
Optional Parts

For details refer to P. 99 to P. 104

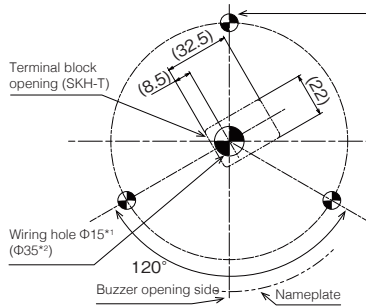
Product Description	Model Number
Wall mounting waterproof bracket	SZK-101
Wall mount bracket	SZK-102
Wall mount bracket	SZK-103
Cover for wall mount bracket	SZK-104
Cover for wall mount bracket	SZK-105
Wall mount bracket	SZ-007
Wall mount bracket	SZ-008
Wall mount bracket	SZ-023
Ceiling mounting bracket	SZW-101

Product Description	Model Number
Mounting rubber gasket	SZW-102
Mounting rubber gasket	SZW-103
Pole mounting bracket	SZP-101
1/2 in. NPT Bracket	SZP-102
1/2 in. NPT Bracket	SZP-103
1/2 in. NPT Bracket	SZP-104

Dimensions (mm)



Mounting Dimensional Drawing (mm)



Mounting Holes (3 places)		Nut (Included)
SKS	Φ5	M4
SKH	Φ6	M5
SKP	Φ9	M8

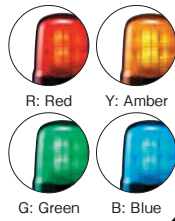
Mounting Pitch	
SKS	Φ50
SKH	Φ70
SKP	Φ120

Model	Nut	Recommended Tightening Torque
SKS	M4	0.7 N·m
SKH	M5	1.4 N·m
SKP	M8	6.0 N·m

- * 1 Adjust hole size as needed.
- * 2 Cord specifications with AC power plug

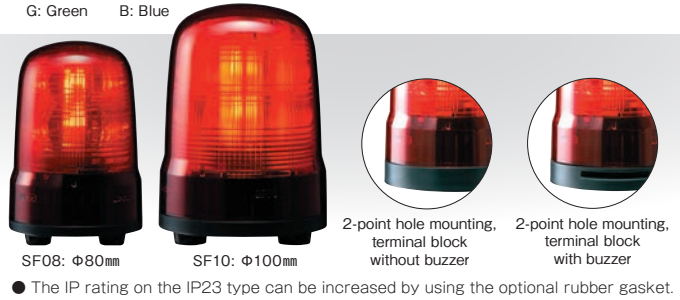
Multi-Function Beacons

SF New



Φ80 mm	Φ100 mm	CE	RoHS 10	UL	FCC	ICES
EAC	KC	PSE	NEMA TYPE 4X,13	IP23 (JN)	IP66 (KT)	Motorless Rotation
Flash	Pulse	Indoor/Outdoor Use	Upright/Sideways/Inverted* Mounting	Ambient Temperature -20°C~+50°C	Red, Amber, Green, Blue	88dB

*Indoor only *SF08:86dB



Model Number Configuration

SF10-M1KTB-R

① ② ③ ④

① Size 08 = Φ80mm 10 = Φ100mm	② Rated Voltage M1 = 12-24V DC M2 = 100-240V AC	③ Mounting / Wiring / Buzzer JN: 3-point bolt mounting / Cable / None KTN: 2-point hole mounting / Terminal block / None KTB: 2-point hole mounting / Terminal block / Buzzer	④ Color R = Red G = Green Y = Amber B = Blue
-------------------------------------	-------------------------------------------------------	----------------------------------------------------------------------------------------------------------------------------------------------------------------------------------------	--------------------------------------------------------------

Specification

Supported Transistors	NPN	Alarm Sound	Single tone (peak)	Volume Control	None
-----------------------	-----	-------------	--------------------	----------------	------

Product List

Model Number	Size (mm)	Rated Voltage	Wiring and Mounting	Alarm	Luminous Color	Power Consumption	Mass
SF08-M1JN-R/Y/G/B	Φ80	12 - 24V DC	Cable, 3-point bolt mounting	None	Red / Amber / Green / Blue	7.7W	0.27kg
SF08-M1KTN-R/Y/G/B	Φ80	12 - 24V DC	Push-in terminal block, 2-point hole mounting	None	Red / Amber / Green / Blue	7.7W	0.24kg
SF08-M1KTB-R/Y/G/B	Φ80	12 - 24V DC	Push-in terminal block, 2-point hole mounting	Yes	Red / Amber / Green / Blue	8.2W	0.25kg
SF08-M2JN-R/Y/G/B	Φ80	100 - 240V AC	Cable, 3-point bolt mounting	None	Red / Amber / Green / Blue	8.5W	0.3kg
SF08-M2KTN-R/Y/G/B	Φ80	100 - 240V AC	Push-in terminal block, 2-point hole mounting	None	Red / Amber / Green / Blue	8.5W	0.27kg
SF08-M2KTB-R/Y/G/B	Φ80	100 - 240V AC	Push-in terminal block, 2-point hole mounting	Yes	Red / Amber / Green / Blue	8.8W	0.28kg
SF10-M1JN-R/Y/G/B	Φ100	12 - 24V DC	Cable, 3-point bolt mounting	None	Red / Amber / Green / Blue	7.7W	0.40kg
SF10-M1KTN-R/Y/G/B	Φ100	12 - 24V DC	Push-in terminal block, 2-point hole mounting	None	Red / Amber / Green / Blue	7.7W	0.39kg
SF10-M1KTB-R/Y/G/B	Φ100	12 - 24V DC	Push-in terminal block, 2-point hole mounting	Yes	Red / Amber / Green / Blue	8.2W	0.40kg
SF10-M2JN-R/Y/G/B	Φ100	100 - 240V AC	Cable, 3-point bolt mounting	None	Red / Amber / Green / Blue	8.5W	0.43kg
SF10-M2KTN-R/Y/G/B	Φ100	100 - 240V AC	Push-in terminal block, 2-point hole mounting	None	Red / Amber / Green / Blue	8.5W	0.42kg
SF10-M2KTB-R/Y/G/B	Φ100	100 - 240V AC	Push-in terminal block, 2-point hole mounting	Yes	Red / Amber / Green / Blue	8.8W	0.43kg

Optional Parts

For details refer to P. 99 to P. 104

Product Description	Model Number	Product Description	Model Number
Wall mounting waterproof bracket	SZK-101	Ceiling mounting bracket	SZW-101
Wall mount bracket	SZK-102	Mounting rubber gasket	SZW-102
Cover for wall mount bracket	SZK-104	Mounting rubber gasket	SZW-103
Wall mount bracket	SZ-007	Pole mounting bracket	SZP-101
Wall mount bracket	SZ-008	1/2 in. NPT Bracket	SZP-102
Wall mount bracket	SZ-023	1/2 in. NPT Bracket	SZP-103

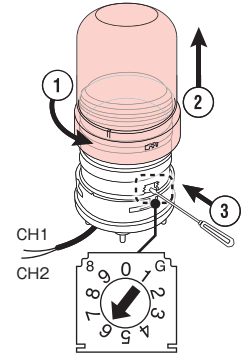
Wide Light Pattern Selection

Select from 22 light patterns to indicate various statuses at your work place.
The light pattern can easily be configured by adjusting the rotary switch and wiring channels.

Rotary switch	wiring		CH1	CH2	CH1	CH2	CH1	CH2	CH1	CH2
	OFF	OFF	ON	OFF	OFF	ON	ON	ON	ON	ON
0	Off		Rotating (120 rpm)	Triple-flash	Rotating (120 rpm)					
1	Off		Rotating (180 rpm)	Triple-flash	Rotating (180 rpm)					
2	Off		Triple-flash	Pulse pattern	Triple-flash					
3	Off		Rotating (60 rpm)	Rotation (120 rpm)	Rotating (180 rpm)					
4	Off		Single-flash	Double-flash	Triple-flash					
5	Triple-flash		Triple-flash	Triple-flash	Triple-flash					
6	Pulse pattern		Pulse pattern	Pulse pattern	Pulse pattern					
7	Rotating (60 rpm)		Rotating (60 rpm)	Rotating (60 rpm)	Rotating (60 rpm)					
8	Rotating (120 rpm)		Rotating (120 rpm)	Rotating (120 rpm)	Rotating (120 rpm)					
9	Rotating (180 rpm)		Rotating (180 rpm)	Rotating (180 rpm)	Rotating (180 rpm)					

= Dimmed = One side illuminated

Video of light patterns:

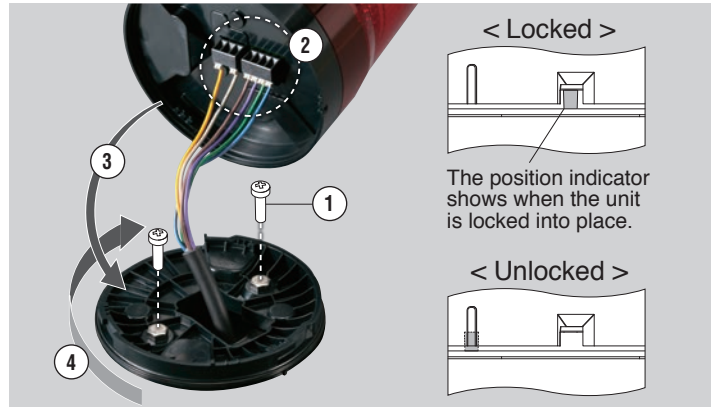


Easy Mounting

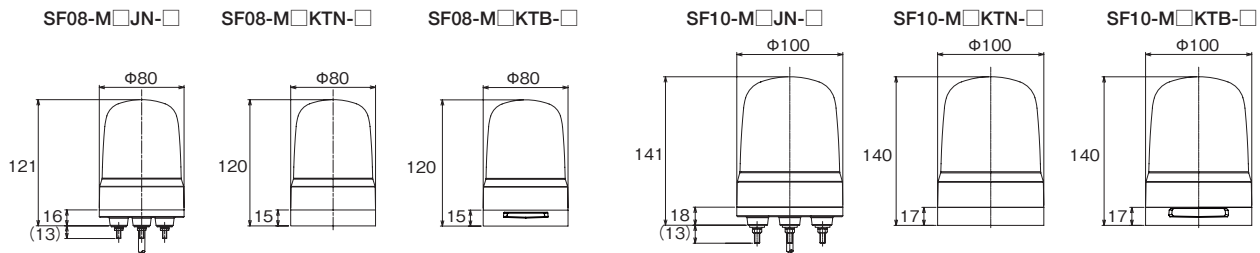
IP66 rating (KT type)

- 1 Screw in the mounting bracket
- 2 Connect wires to the push-in terminal block
- 3 Mount the body onto the mounting bracket
- 4 Lock into place

Mounting video

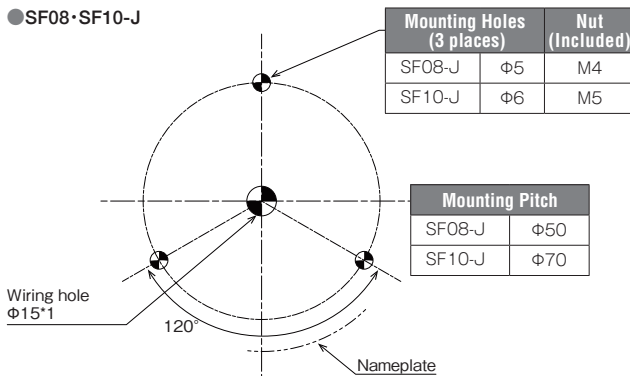


Dimensions (mm)

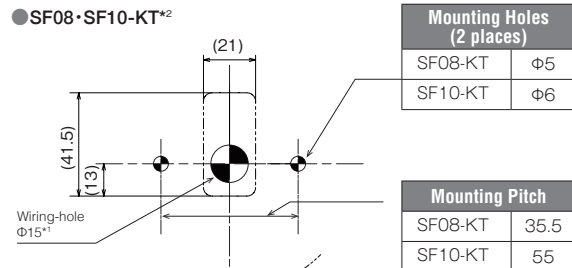


Mounting Dimensional Drawing (mm)

● SF08·SF10-J



● SF08·SF10-KT*2



Model	Screw / Nut	Recommended Tightening Torque
SF08	M4	0.7 N·m
SF10	M5	1.4 N·m

- * 1 Adjust hole size as needed.
* 2 Mounting screws not included.

Signal Beacons

NE-A

New

Φ56 mm	CE	RoHS 10	UL	FCC #1	ICES #1	KC #1	IP67 (M1ANN)
IP65	NEMA TYPE 4X,13	Indoor Use	Mounting in All Directions	Ambient Temperature -30C~+50C	Ambient Temperature -25C~+60C	Red, Amber, Green, Blue, White, Multi-color: 7 colors	Continuous On
Flashing M1AN	88dB	2 Alarm Sounds	Touch Sensor M1ATB	NE-24A	NE-M1A		

*1. NE-M1A only



Model Number Configuration

NE-24A-R

① ②

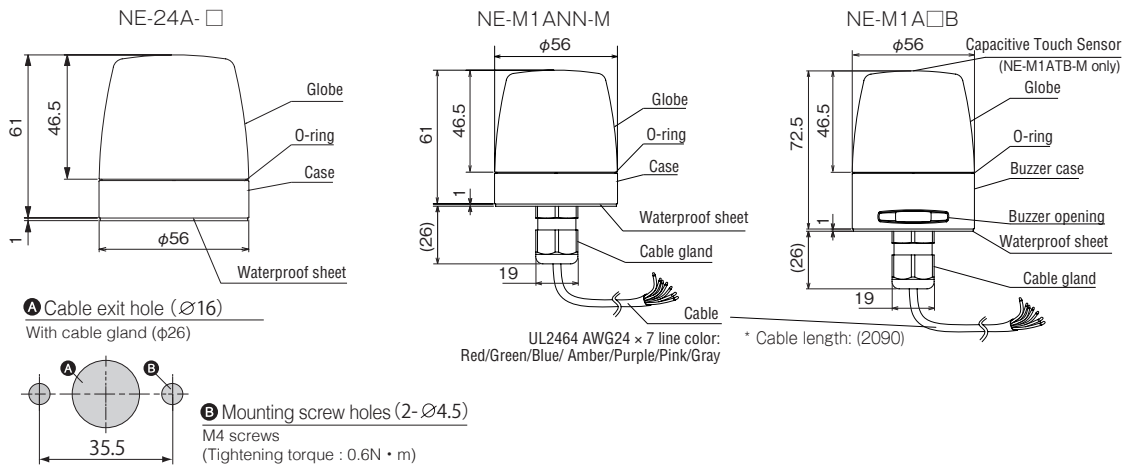
① Rated Voltage 24 = 24V DC	② Color R = Red B = Blue Y = Amber C = White G = Green
--------------------------------	-----------------------------------------------------------------

NE-M1ATB-M

① ② ③ ④

① Rated Voltage M1 = 12 - 24V DC	② Touch sensor T = Touch sensor N = No touch sensor	③ Buzzer B = Buzzer N = No Buzzer
④ Color M = Multi-color		

Dimensions (mm)



Product List

Model Number	Rated Voltage	Touch Sensor	Alarm	Luminous Color	Power Consumption	Mass
NE-24A-R	24V DC	None	None	Red	0.7W	0.06kg
NE-24A-Y	24V DC	None	None	Amber	0.7W	0.06kg
NE-24A-G	24V DC	None	None	Green	0.7W	0.06kg
NE-24A-B	24V DC	None	None	Blue	0.7W	0.06kg
NE-24A-C	24V DC	None	None	White	0.7W	0.06kg
NE-M1ANN-M	12 - 24V DC	None	None	Multi-color (7 colors)	1.2W	0.15kg
NE-M1ANB-M	12 - 24V DC	None	Yes	Multi-color (7 colors)	1.8W	0.17kg
NE-M1ATB-M	12 - 24V DC	Yes	Yes	Multi-color (7 colors)	1.8W	0.17kg

Specification

Supported Transistors	24 : NPN/PNP, M1 : NPN
Alarm Sound	2 sounds (Intermittent, continuous)
Volume Control	None

Optional Parts

For details refer to P. 99 to P. 104

Product Description	Model Number
Pole bracket	NE-001D
Wall mounting bracket	NE-002D

Vibration Resistant Rotating Beacons

RLR



- Φ162 mm**
- CE** (Excluding M2)
- RoHS 10**
- IP66**
- Indoor/Outdoor Use**
- Upright/Inverted Mounting**
- Ambient Temperature -30°C~+70°C**
- Ambient Temperature -10°C~+50°C**
- Red, Amber, Green, Blue**
- Motorized Rotation**
- Vibration resistance 110m/s²** (Excluding M2)
- DC specification**
- AC specifications**

LAN / USB / PoE / Wireless

Signal Tower

Beacons

Cube Tower

Audible Alarms and MP3 Voice Annunciators

Hybrid Signaling Devices

LED Illumination

Explosion Proof

Option

Model Number Configuration

RLR-04-P-R

① ② ③

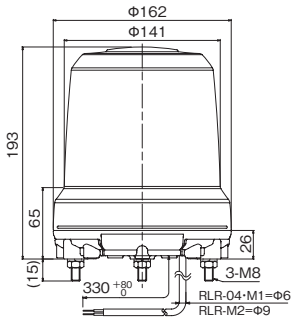
① Rated Voltage 04 = 48V DC M1 = 12/24V DC M2 = 100 - 240V AC	② Mounting Pitch Blank = Φ140 P = Φ120	③ Luminous Color R = Red Y = Amber G = Green B = Blue
------------------------------------------------------------------------	----------------------------------------------	-------------------------------------------------------------------

Optional Parts

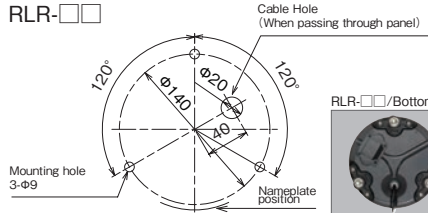
For details refer to P. 99 to P. 104

Part Description	Model Number
Wall Mount Bracket	SZ-023
Wall Mount Bracket	SZ-008

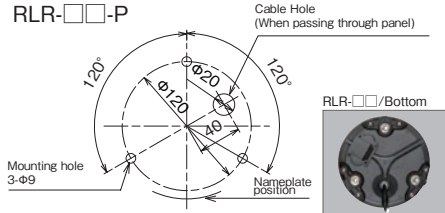
Dimensions (mm)



Mounting Surface Dimensions



※ Caution ※
If waterproofing is required, apply waterproofing treatment when wiring.
If improperly treated moisture may enter from the end of the power line.



Nominal cross-sectional area: Line type
RLR-04/M1 : 0.5mm²: HVCTF
RLR-M2 : 0.75mm²: VCT

Product List

Model Number	Rated Voltage	Mounting Pitch	Luminous Color	Power Consumption	Mass
RLR-M1-R/Y/G/B	12V / 24V DC	Φ140	Red / Amber / Green / Blue	7.6W	1.0kg
RLR-04-R/Y/G/B	48V DC	Φ140	Red / Amber / Green / Blue	8.2W	1.0kg
RLR-M2-R/Y/G/B	100 - 240V AC	Φ140	Red / Amber / Green / Blue	7.8W	1.06kg
RLR-M1-P-R/Y/G/B	12V / 24V DC	Φ120	Red / Amber / Green / Blue	7.6W	1.0kg
RLR-04-P-R/Y/G/B	48V DC	Φ120	Red / Amber / Green / Blue	8.2W	1.0kg
RLR-M2-P-R/Y/G/B	100 - 240V AC	Φ120	Red / Amber / Green / Blue	7.8W	1.06kg

Flashing Beacons

LFH

100 mm	CE Excluding LFH-S/LFH-48	RoHS 10	UL Excluding LFH-S	FCC Excluding LFH-S	IP66	Indoor/Outdoor Use
Upright/SideWAYS/Inverted Mounting	Ambient Temperature -30°C~+70°C DC specification	Ambient Temperature -20°C~+60°C AC specifications	Red, Amber, Green, Blue, White	Flash 110 fpm (LFH)	Flash 140 fpm (LFH-S)	Vibration resistance 90m/s² (Excluding LFH-M2)



Model Number Configuration

LFH-12S-R

① ② ③

- | | | |
|------------------------------------------------------------------------------------------|-----------------------------------------------------------------|--------------------------------------------------------------------|
| ① Rated Voltage
12 = 12V DC
24 = 24V DC
48 = 48V DC
M2 = 100/120/200/230V AC | ② Number of Flashes
Blank = 110 ± 10 fpm
S = 140 ± 14 fpm | ③ Color
R = Red B = Blue
Y = Amber C = White
G = Green |
|------------------------------------------------------------------------------------------|-----------------------------------------------------------------|--------------------------------------------------------------------|

Product List

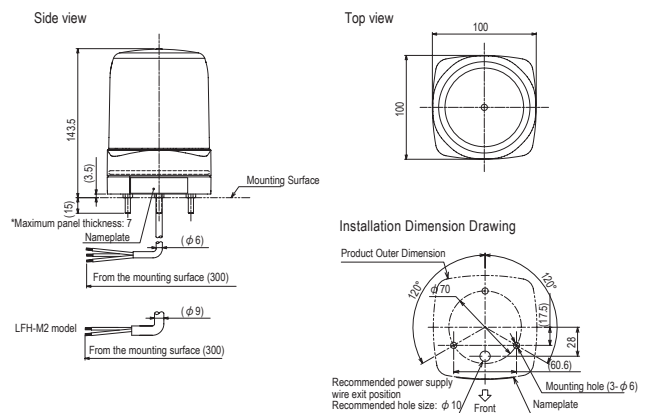
Model Number	Rated Voltage	Number of Flashes (fpm)	Luminous Color	Power Consumption	Mass
LFH-12-R/Y/G/B/C	12V DC	110	Red / Amber / Green / Blue / White	6.0W	0.57kg
LFH-24-R/Y/G/B/C	24V DC	110	Red / Amber / Green / Blue / White	5.5W	0.57kg
LFH-48-R/Y/G/B/C	48V DC	110	Red / Amber / Green / Blue / White	7.5W	0.57kg
LFH-M2-R/Y/G/B/C	100/120/200/230V AC	110	Red / Amber / Green / Blue / White	6.8W	0.61kg
LFH-12S-R/Y/G/B/C	12V DC	140	Red / Amber / Green / Blue / White	6.0W	0.57kg
LFH-24S-R/Y/G/B/C	24V DC	140	Red / Amber / Green / Blue / White	5.5W	0.57kg
LFH-48S-R/Y/G/B/C	48V DC	140	Red / Amber / Green / Blue / White	7.5W	0.57kg

Optional Parts

For details refer to P. 99 to P. 104

Product Description	Model Number
Wall Mount Bracket	SZ-007

Dimensions (mm)



REL

IP65	Indoor/ Outdoor Use	Upright/ Sideways/ Inverted Mounting	Ambient Temperature -20°C~+55°C
Red, Amber	Flash 110 fpm (M2, 24V DC)	Flash 140 fpm (48V DC)	

*Indoor only



LAN / USB /
PoE / Wireless

Signal Tower

Beacons

Cube Tower

Audible Alarms
and MP3 Voice
Annunciators

Hybrid Signaling
Devices

LED Illumination

Explosion Proof

Option

Model Number Configuration

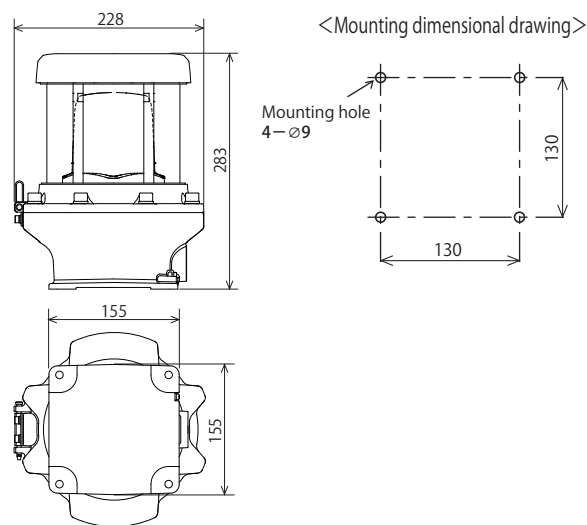
REL-24-R

① ②

① Rated Voltage
24 = 24V DC
48 = 48V DC*
M2 = 100-230V AC (50/60Hz)
*48V DC only available in amber (-Y)

② Luminous Color
R = Red
Y = Amber

Dimensions (mm)



Optional Parts

For details refer to P. 99 to P. 104

Product Description	Model Number
Cable gland	REL-001 (Applicable cable diameter: 7 to 12mm)

Product List

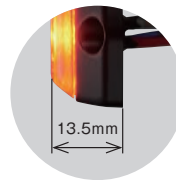
Model Number	Rated Voltage	Luminous Color	Power Consumption	Mass
REL-24-R/Y	24V DC	Red/ Amber	5.5W	7.2kg
REL-48-Y	48V DC	Amber	7.5W	7.2kg
REL-M2-R/Y	100 ~ 230V AC	Red/ Amber	6.8W	7.2kg

Warning Light

LPT

COMING SOON

CE	RoHS 10	FCC	IP68	NEMA TYPE 4X,13	Indoor/Outdoor Use	Mounting in All Directions
Ambient Temperature -30°C -75°C	Red, Amber, Green, Blue	Flash 400 fpm Triple, Extreme warning	Blinks 67 fpm Blinking Mode	Vibration resistance 90m/s²	Connect up to 20 units	



LPT-2M1

LPT-1M1



Model Number Configuration

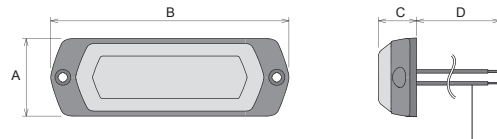
LPT-1M1-R

①

②

- ① Size
1 = 86.0 × 28.0 (mm)
2 = 114.4 × 43.4 (mm)
- ② Luminous colors
R = Red G = Green
Y = Amber B = Blue

Dimensions (mm)



Lead wires (stripped tips) : AVS 0.5mm × 4

Model Number	A	B	C	D
LPT-1M1-□	28.0	86.0	13.5	500
LPT-2M1-□	43.4	114.4	13.5	500

Product List

Model Number	Rated Voltage	Luminous Color	Power Consumption	Mass
LPT-1M1-R	12 - 24V DC	Red	3.6W	0.072kg
LPT-1M1-Y	12 - 24V DC	Amber	3.6W	0.072kg
LPT-1M1-G	12 - 24V DC	Green	7.2W	0.072kg
LPT-1M1-B	12 - 24V DC	Blue	6.0W	0.072kg
LPT-2M1-R	12 - 24V DC	Red	13.2W	0.13kg
LPT-2M1-Y	12 - 24V DC	Amber	13.2W	0.13kg
LPT-2M1-G	12 - 24V DC	Green	15.6W	0.13kg
LPT-2M1-B	12 - 24V DC	Blue	14.4W	0.13kg

Feature

High Reliability

- Visible from great distances
- High vibration resistance, 90m/s²
- IP68 dust-proof, water-proof protection



Various Light Patterns

Triple Flash	
Extreme Warning Flash	
Continuous On	
Blinking	

The following can be changed according to preset settings *

- Flash pattern
- Simultaneous or alternating flash (when multiple units are connected)

* Factory default: Triple-flash, simultaneous flash

Battery-powered Flashing Beacons

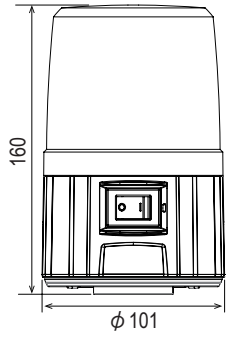
PFH

- Φ101
- CE
- RoHS 10
- IP55
- Indoor/Outdoor Use
- Upright/Sideways Mounting
- Ambient Temperature -10°C~+50°C
- Red, Amber
- Flash
- Battery

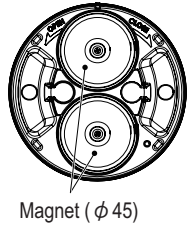


Dimensions (mm)

Side view



Bottom view



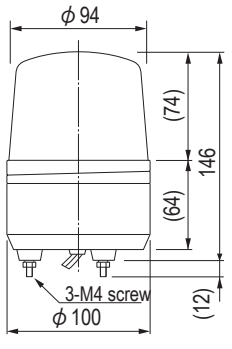
Small Rotating Beacons

SKH-EA

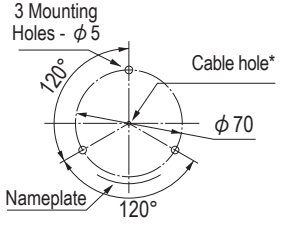
- Φ100 mm
- CE
- RoHS 10
- IP23
- Indoor/Outdoor Use
- Upright/Sideways*/Inverted* Mounting
- Ambient Temperature -30°C~+80°C (DC)
- Ambient Temperature -30°C~+60°C (AC)
- Red, Amber, Green, Blue
- Motorized Rotation



Dimensions (mm)



Installation Dimension Drawings



*To pass a 100V plug a Φ30 cable hole is required.

Product List

Model Number	Power Supply	Luminous Color	Mass
PFH-BT-R-Y	4 AA alkaline or nickel metal hydride batteries	Red/Amber	0.51 kg (without batteries)

■ Toggle between "Flash pattern" and "Lighting mode" depending on your application: Indoors, outdoors, day or night.

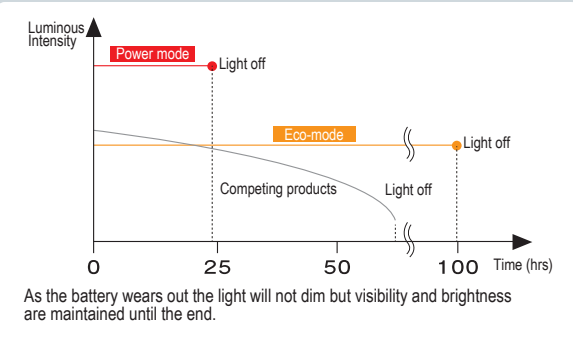
High visibility Power mode Battery life (24 h) *

Double flash Single flash

Long-lasting Eco Mode Battery life (100 h) *

Double flash Single flash

* Battery life will vary depending on battery type and environmental conditions.



Product List

Model Number	Rated Voltage	Bulb	No.	Luminous Color	Power Consumption	Mass
SKH-12EA-R/Y/G/B	12V DC	12V 10W	9	Red/ Amber/ Green/Blue	9.6W	0.4kg
SKH-24EA-R/Y/G/B	24V DC	24V 10W	10	Red/ Amber/ Green/Blue	12.0W	0.4kg
SKH-100EA-R/Y/G/B	100V AC	12V 5W	12	Red/ Amber/ Green/Blue	6.2W	0.6kg
SKH-200EA-R/Y/G/B	200V AC	12V 5W	12	Red/ Amber/ Green/Blue	6.5W	0.6kg

Bulb shape...Halogen bulb cap BA15S

Bulb No.	Model Number
9	D01201003A-F1
10	D02401003A-F1
12	D01200503A-F1

Optional Parts

For details refer to P. 99 to P. 104

Product Description	Model Number
Wall Mount Bracket	SZ-007