

WD PRO

New

Φ60 mm

CE

RoHS 10

UL

FCC

KC

IP65

Indoor Use

Upright Mounting

Ambient Temperature -10°C~+50°C

RS-232C

8 inputs



WD PRO Transmitter

WD PRO Contact Input - Serial Communication Base Unit

Model Number Configuration

WDT-6LR-Z2-PRO

T=Transmitter ①

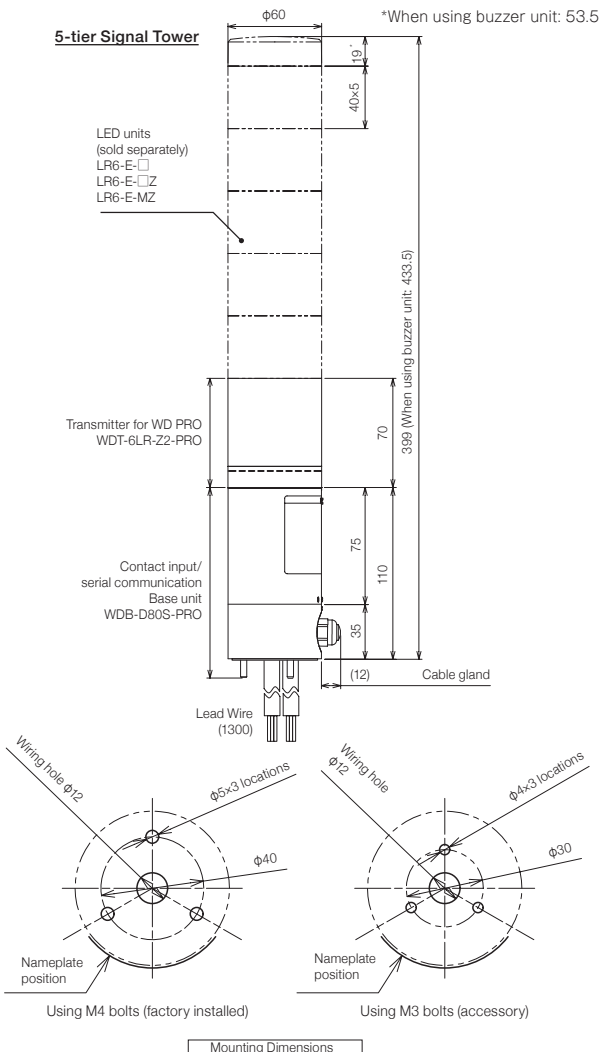
① Size
6 = Φ60 mm

WDB-D80S-PRO

B=Base unit ① ② ③ ④

① Method ② External contact input points ③ External contact output points
D = Digital 8 = 8 points 0 = None
④ Communication Method
S = Serial communication

Dimensions (mm)



Product List

Model Number	Rated Voltage	Type	Power Consumption	Mass
WDB-D80S-PRO	24V DC	Base Unit	2.64W	0.3kg
WDT-6LR-Z2-PRO	24V DC	Transmitter	2.7W	0.09kg

Available Countries / Regions

Japan / U.S. / Europe / China / Korea / Taiwan / Thailand / Indonesia / Mexico

Optional Parts

For details refer to P. 99 to P. 104

Product Description	Model Number
Serial cable	WDX-SC01
LED unit	LR6-E-R/Y/G/B/C
LED unit (clear globe)	LR6-E-RZ/YZ/GZ/BZ
LED unit (multi-color)	LR6-E-MZ
Buzzer unit	LR6-BW
Upper pole bracket	SZP-004W
Pole	POLE-100/300/800A21+O0109
Pole mounting bracket	SZ-016A
Pole mounting bracket	SZ-010
Wall Mounting bracket	SZK-003W
Wall Mounting bracket	SZK-001U

WDR-Z2-PRO

New

CE	RoHS 10	UL	FCC	IP20	Indoor Use	Horizontal Mounting	Wall/Ceiling Mounting	Ambient Temperature -10°C~+50°C
Ethernet	USB Bus Power	PoE	Modbus*/TCP	Database* Collaboration	SOCKET			

* Functions not available for Lite version models.



WD System Setup Software



WD PRO Receiver

WDR-Z2-PRO

LAN/USB/PoE/Wireless

Signal Tower

Beacons

Cube Tower

Audible Alarms and MP3 Voice Annunciators

Hybrid Signaling Devices

LED Illumination

Explosion Proof

Optional Parts

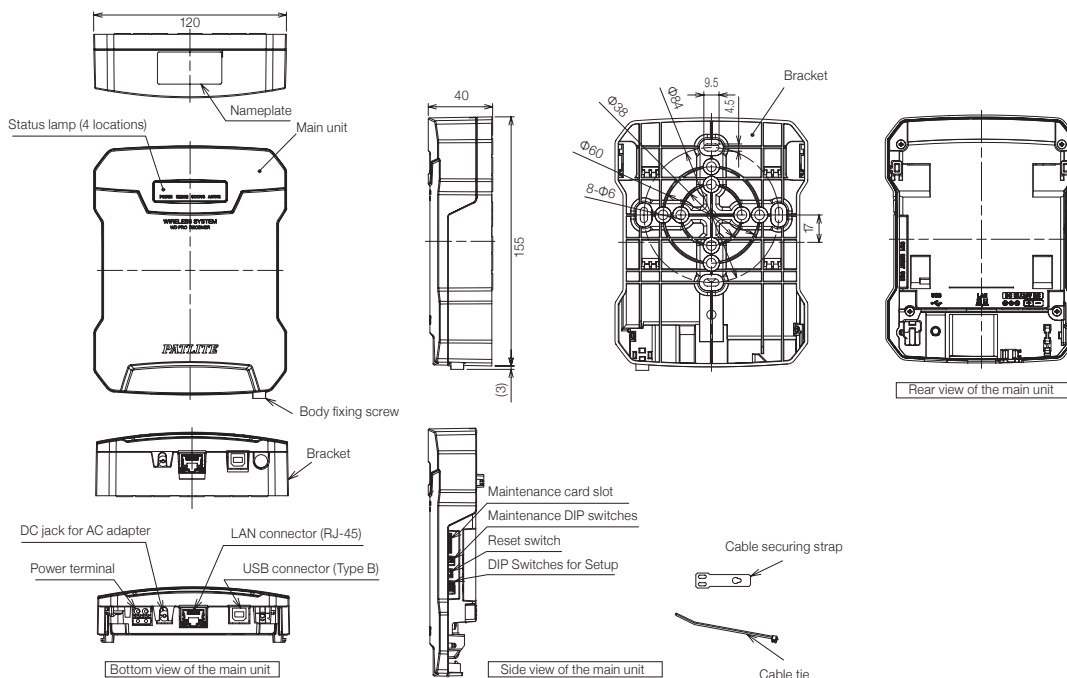
Model Number Configuration

WDR-LE-Z2-PRO-L

① Software
Blank = Standard
L = Lite version

①

Dimensions (mm)



Product List

Model Number	Rated Voltage	AC Adapter	Software Specification	Power Consumption	Mass
WDR-LE-Z2-PRO	24V DC	None	Standard	4.5W	0.3kg
WDR-LE-Z2-PRO-L			Lite (no web setup tool)		

Optional Parts

For details refer to P. 99 to P. 104

Product Description	Model Number
System operation software*	WDS-WIN01
Global AC adapter	ADP-001

* Free version is limited to changing the transmitter and receiver settings. Data collection only available with paid license.

Available Countries / Regions

Japan / U.S. / Canada / Europe / China / Thailand / Vietnam
(as of April 2020)

WD-Z2



WD System Setup Software

Φ50 mm
Φ60 mm
CE
RoHS 10
UL
FCC

IP65
NEMA TYPE 4X,13
Indoor Use
Upright Mounting
Ambient Temperature -10°C~+50°C

*1. WDR-LE(E)-Z2 excluded
*2. WDR-L (E)-Z2: IP20

Compatible Signal Tower Series



Model Number Configuration

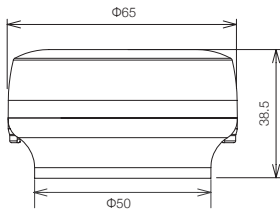
WDT-6LR-Z2

①

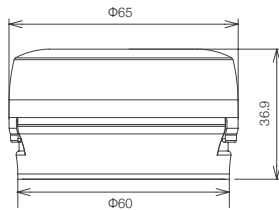
① Size - Compatible Signal Tower Series
5LR = Φ50 · LR5 Series
6LR = Φ60 · LR6 Series
5E = Φ50 · LE Series
6M = Φ60 · LME Series

Dimensions (mm)

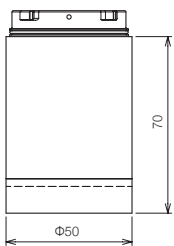
● WDT-5E-Z2



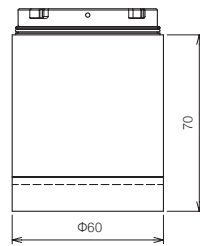
● WDT-6M-Z2



● WDT-5LR-Z2



● WDT-6LR-Z2



Optional Parts

For details refer to P. 99 to P. 104

Product Description	Model Number
System operation software*	WDS-WIN01
Global AC Adapter	ADP-001
Setup kit (Φ50mm)	WDX-5LRB
Setup kit (Φ60mm)	WDX-6LRB

* Free version is limited to changing the transmitter and receiver settings. Data collection only available with paid license.

Available Countries / Regions

WDT-5E / 6M-Z2	WDT-5LR / 6LR-Z2
Japan / U.S. / Europe / China / Taiwan / Thailand / Philippines / Vietnam	Japan / U.S. / Europe / China / Korea / Taiwan / Thailand / Indonesia / Philippines / Vietnam / Mexico / Canada / Malaysia / Singapore

Product List

Model Number	Rated Voltage	Type	Size (mm)	Compatible Signal Tower Series	Power Consumption	Mass
WDT-5E-Z2	24V DC	Transmitter	Φ50	LE	0.8W	0.052kg
WDT-6M-Z2	24V DC	Transmitter	Φ60	LME	0.8W	0.052kg
WDT-5LR-Z2	24V DC	Transmitter	Φ50	LR5	1.4W	0.074kg
WDT-6LR-Z2	24V DC	Transmitter	Φ60	LR6	1.4W	0.085kg

LR6-IL

New



WD Compatible (pg. 13)

* LED unit up to 3 tiers



Pre-assembled

Body Unit

Φ60 mm	CE	RoHS 10	UL	FCC	KC	IP65	NEMA TYPE 4X,13	Indoor Use
Upright Mounting	Ambient Temperature -20°C~+50°C	IO-Link	Red, Amber, Green, Blue, White, Multi-color: 7 colors	Continuous On	Flashes per Minute 60	Change Number of Tiers	84dB	4 Alarm Sounds

LR6-IL

LAN/USB/PoE/Wireless

Signal Tower

Beacons

Cube Tower

Audible Alarms and MP3 Voice Annunciators

Hybrid Signaling Devices

LED Illumination

Explosion Proof

Optional Parts

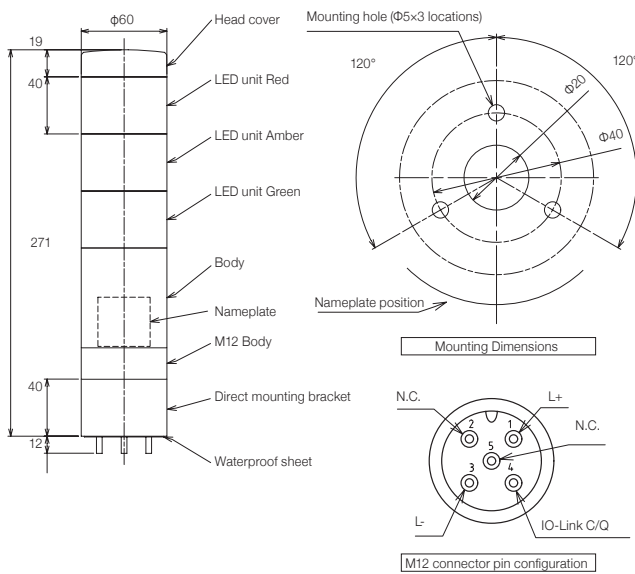
Model Number Configuration

LR6-3ILWMNW-RYG



① Number of tiers blank = Body unit only 3 = 3 tiers	② Extended function IL = IO-Link	③ Mounting/Wiring spec WM = Direct mounting/M12 connector	④ Buzzer unit* N = None * For Buzzer, use Buzzer Unit LR6-BW	⑤ Body Color W = Off White	⑥ Luminous Color Blank = Body unit only R = Red Y = Amber G = Green * From top to bottom
--	-------------------------------------	--	--	-------------------------------	--

Dimensions (mm)



Specification

Communication Specification	IO-Link
Alarm Sound	Select from 4 patterns when using LR6-BW
Volume control	Sound can be reduced by DIP-switch When using LR6-BW

Optional Parts

For details refer to P. 99 to P. 104

Product Description	Model Number
LED unit	LR6-E-R/Y/G/B/C
LED unit (clear globe)	LR6-E-RZ/YZ/GZ/BZ
Multi-color LED unit	LR6-E-MZ
Buzzer unit	LR6-BW
Upper pole bracket	SZP-004W
Pole	POLE-100/300/800A21
Pole mounting bracket	SZ-016A
Pole mounting bracket	SZ-010
Wall Mounting bracket	SZK-003W

Product List

Model Number	Number of Tiers	Rated Voltage	Audible Alarm	Luminous Color	Power Consumption	Mass
LR6-3ILWMNW-RYG	3	24V DC	None	Red, Amber & Green	5W	0.38kg
LR6-ILWMNW	0 (body unit)			None		0.2kg

IO-Link Signal Beacon

NE-IL

New



Φ56 mm	CE	RoHS 10	UL	FCC	ICES	KC	IP65	NEMA TYPE 4X,13
Indoor Use	Upright Mounting	Ambient Temperature -25°C~+60°C	IO-Link	Multi-color LED (7 colors)	Continuous On	Blinking	Flash	Pulse
88dB	8 Alarm Sounds	Touch Sensor						

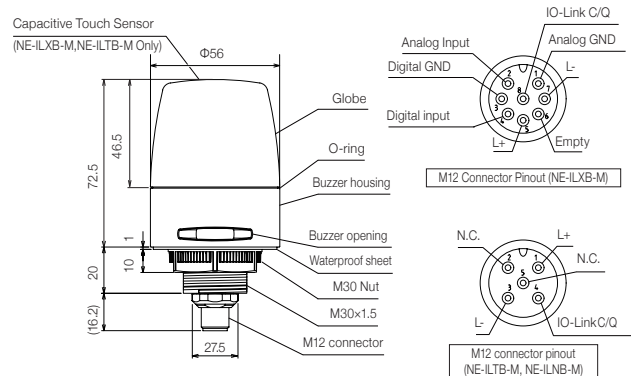
Model Number Configuration

NE-ILXB-M

- ①
- ②
- ③

- | | | |
|--|------------------------|--------------------------------|
| ① Touch Sensor
T = With touch sensor
N = No touch sensor
X = With touch sensor and digital / analog input | ② Buzzer
B = Buzzer | ③ LED Color
M = Multi Color |
|--|------------------------|--------------------------------|

Dimensions (mm)



Product List

Model Number	Rated Voltage	Touch Sensor	Digital / Analog Input	Audible Alarm	Luminous Color	Power Consumption	Mass
NE-ILNB-M	24V DC	None	None	Yes	Multi-color (Red, Amber, Green, Blue, White, Purple, Cyan)	2.4W	0.10kg
NE-ILTB-M		Yes	None				
NE-ILXB-M		Yes	Yes				

Specification

Communication Specification	IO-Link
Alarm Sound	Select from 8 patterns
Volume Control	Control with IO-Link

Optional Parts

For details refer to P. 99 to P. 104

Product Description	Model Number
Pole bracket	NE-001D
Wall mounting bracket	NE-002D

Network Monitor MP3 Voice Annunciator Signal Tower

NH-FV



CE	RoHS 10	FCC	UL	IP20	Indoor Use	Upright Mounting	Ambient Temperature 0°C--40°C	Ethernet	HTTP Command
RSH	PING	SNMP	SLMP	E-mail Alerts	SOCKET	Continuous On	60 Flashes per Minute	120 Flashes per Minute	88dB
70 Alarm Sounds	4 Inputs	1 Output							



NH-FV

LAN / USB / PoE / Wireless

Signal Tower

Beacons

Cube Tower

Audible Alarms and MP3 Voice Annunciators

Hybrid Signaling Devices

LED Illumination

Explosion Proof

Optional Parts

Model Number Configuration

NHL-3FV2N-RYG

① Size ② Tiers ③ AC Adapter ④ Luminous Color

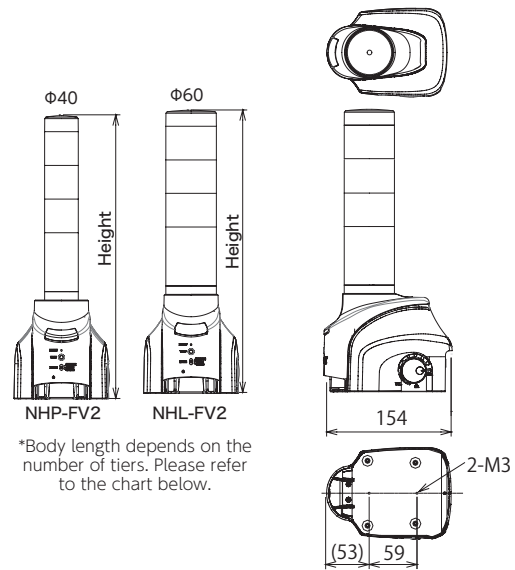
① Size P = Φ40 L = Φ60	② Tiers 1 = 1 tier 2 = 2 tiers 3 = 3 tiers 4 = 4 tiers 5 = 5 tiers	③ AC Adapter Blank = AC Adapter included W*1 = AC Adapter and replacement plug included N*1 = AC Adapter not included	④ Luminous Color 1 = 1 tier: R / Y / G 2 = 2 tiers: RY / RG 3 = 3 tiers: RYG 4 = 4 tiers: RYGB 5 = 5 tiers: RYGBG
------------------------------	---	--	--



N*1 = AC Adapter not included

*1. Available for 3-tier models only

Dimensions (mm)

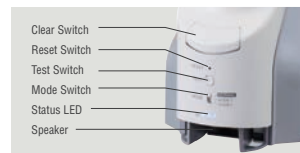


*Body length depends on the number of tiers. Please refer to the chart below.

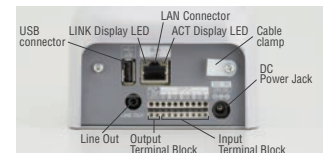
Specification

Protocols (Physical layer ~Application layer)	Physical layer: Ethernet (IEEE802.3 compliant) 10BASE-T/100BASE-TX (auto-negotiation, full-duplex/half-duplex) Data link layer: CSMA/CD Network layer: IP/ICMP/ARP Transport layer: TCP UDP Application layer: HTTP/SMTP/SNMP/RSH/NTP/POP/DNS/SOCKET/DHCP/SLMP
Alarm Sound	4 patterns (short intermittent beeps / slow intermittent beeps / 2 short intermittent beeps / continuous beep)
Playback Mode	Priority playback/Memory playback after input
Volume Control	Volume adjustment knob / Analog volume settings from device setup browser

Front



Back



Optional Parts

For details refer to P. 99 to P. 104

Product Description	Model Number
Wall Mount Bracket	NH-WST2
Tint film	NHL-TF (for NHL-FV2/FB2 types)
	NHP-TF (for NHP-FV2/FB2 and PHE-3FB3 types)

NHP-□ FV2 type main body height

Number of Tiers	1	2	3	4	5
Body Height (mm)	256	296	336	376	416

NHL-□ FV2 type main body height

Number of Tiers	1	2	3	4	5
Body Height (mm)	256	296	336	376	416

Product List

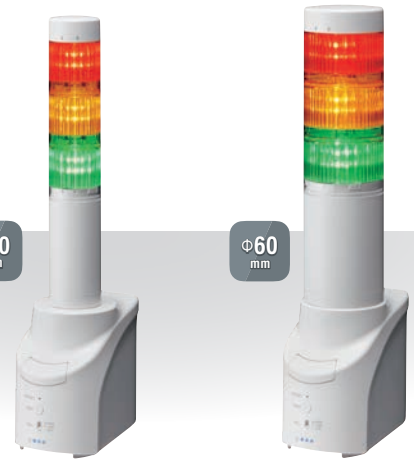
Model Number	Size (mm)	Number of Tiers	Rated Voltage	Message Recording	AC Adapter	Luminous Color	Power Consumption	Mass *2
NHP-3FV2-RYG	Φ40	3	100-240V AC *1	Preset sounds + User programmable capability	Yes	Red, Amber, Green	6.5W	1.02 kg
NHP-3FV2W-RYG	Φ40	3	100-240V AC *1	Preset sounds + User programmable capability	Yes	Red, Amber, Green	6.5W	1.02 kg
NHP-3FV2N-RYG	Φ40	3	100-240V AC *1	Preset sounds + User programmable capability	None	Red, Amber, Green	6.5W	1.02 kg
NHL-3FV2-RYG	Φ60	3	100-240V AC *1	Preset sounds + User programmable capability	Yes	Red, Amber, Green	6.5W	1.15 kg
NHL-3FV2W-RYG	Φ60	3	100-240V AC *1	Preset sounds + User programmable capability	Yes	Red, Amber, Green	6.5W	1.15 kg
NHL-3FV2N-RYG	Φ60	3	100-240V AC *1	Preset sounds + User programmable capability	None	Red, Amber & Green	6.5W	1.15 kg

*1. Using AC adapter *2. Excluding AC adapter

Network Monitor Signal Tower

NH-FB

CE	RoHS 10	FCC	UL	IP20	Indoor Use	Upright Mounting	Ambient Temperature 0C-40C	Ethernet
HTTP Command	RSH	PING	SNMP	SLMP	E-mail Alerts	SOCKET	Continuous On	60 Flashes per Minute
120 Flashes per Minute	80dB	4 Alarm Sounds						



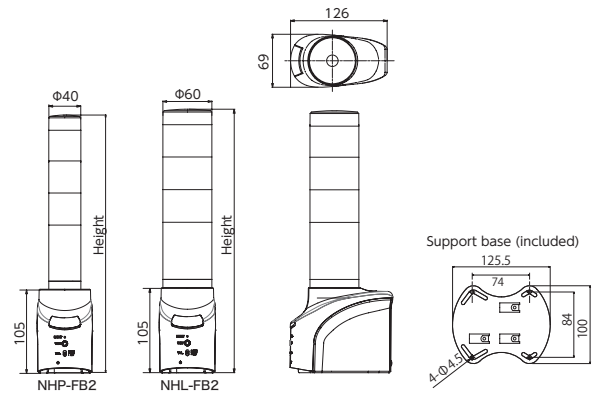
Model Number Configuration

NHL-3FB2N-RYG

① Size ② Tiers ③ AC Adapter ④ LED Unit Colors

① Size ② Tiers ③ AC Adapter ④ LED Unit Colors
 P = Φ 40 1 = 1 tier Blank = AC Adapter included UL 1 = 1 tier: R / Y / G
 L = Φ 60 2 = 2 tiers W*1 = AC Adapter and replacement plug included 2 = 2 tiers: RY / RG
 3 = 3 tiers 3 = 3 tiers: RYG 3 = 3 tiers: RYG
 4 = 4 tiers 4 = 4 tiers: RYGB 4 = 4 tiers: RYGB
 5 = 5 tiers 5 = 5 tiers: RYGB 5 = 5 tiers: RYGB
 N*1 = AC Adapter not included *1. Three tiers only.

Dimensions (mm)



NHP-□ FB2 type main body height

Number of Tiers	1	2	3	4	5
Body Height (mm)	244	284	324	364	404

NHL-□ FB2 type main body height

Number of Tiers	1	2	3	4	5
Body Height (mm)	244	284	324	364	404

Specification

Protocols (Physical layer ~Application layer)	Physical layer: Ethernet (IEEE802.3 compliant) 10BASE-T/100BASE-TX (auto-negotiation, full-duplex/half-duplex) Data link layer: CSMA/CD Network layer: IP/ICMP/ARP Transport layer: TCP UDP Application layer: HTTP/SMTP/SNMP/RSH/NTP/POP/DNS/SOCKET/DHCP/SLMP
Alarm Sound	4 patterns (short intermittent beeps / slow intermittent beeps / 2 short intermittent beeps / continuous beep)
Volume Control	Adjust with DIP switch in front

Optional Parts

For details refer to P. 99 to P. 104

Product Description	Model Number
Wall Mount Bracket	NH-WST
Partition mounting bracket	NH-PST
Tint film	NHL-TF (for NHL-FV2/FB2 types)
	NHP-TF (for NHP-FV2/FB2 and PHE-3FB3 types)

Product List

Model Number	Size (mm)	Number of Tiers	Rated Voltage	AC Adapter	Luminous Color	Power Consumption	Mass *2
NHP-3FB2-RYG	Φ 40	3	100-240V AC *1	Yes	Red, Amber, Green	7.0W	0.65 kg
NHP-3FB2W-RYG	Φ 40	3	100-240V AC *1	Yes	Red, Amber, Green	7.0W	0.65 kg
NHP-3FB2N-RYG	Φ 40	3	100-240V AC *1	None	Red, Amber, Green	7.0W	0.65 kg
NHL-3FB2-RYG	Φ 60	3	100-240V AC *1	Yes	Red, Amber, Green	7.0W	0.78 kg
NHL-3FB2W-RYG	Φ 60	3	100-240V AC *1	Yes	Red, Amber, Green	7.0W	0.78 kg
NHL-3FB2N-RYG	Φ 60	3	100-240V AC *1	None	Red, Amber, Green	7.0W	0.78 kg

*1. Using AC adapter
 *2. Excluding AC adapter

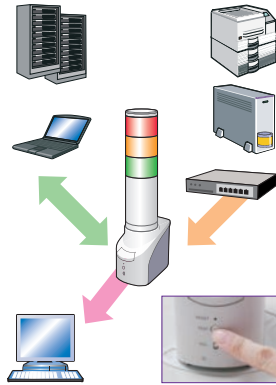
Event Monitoring

PING Monitoring

Each NH Tower can PING up to 24 devices. When a PING response fails, visual, audible, and/or email alerts are sent to administrators. These alerts can be customized based on the severity of the issue.

Application Monitoring

The NH Tower can monitor the performance of standard software and web applications, and notify administrators instantly of any errors.



SNMP v1 · v2c

The NH Towers can send, receive, and analyze TRAP information. Register up to 16 groups (4 nodes per group).

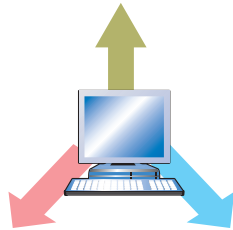
Self Diagnosis Function

With the test switch located on the front of the NH Tower, users can test various functions without having to login to the device through the network.

Supported Protocols

HTTP Commands

The NH accepts HTTP commands sent through a web browser or PLC to trigger NH Series visual and audible alert functions.



RSH Command

RSH can be used to automatically run commands based on event information from network management software and various monitoring tools on the NH Series to trigger visual and audible alert functions.

SOCKET Communication

Compatible with PHN command
Control digital output with a 2-byte command

* NH-FV Series does not support sound playback using PHN compatible commands.

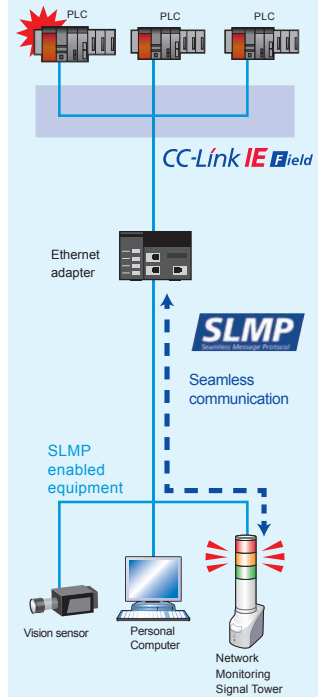
Compatible with PNS command

The NH accepts an application-level protocol called PNS (developed by PATLITE) to establish connection between client and server and to control visual and audible alert functions.



SLMP, MC protocols supported. You can connect the NH to a CC-Link IE field network.

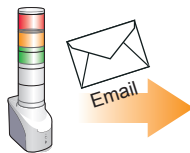
The NH regularly sends commands to PLCs in the CC-Link IE field network, and can notify you of retrieved data by light, sound, email, and/or trap.



Email Transmission

Send email reports of various network events to up to 8 addresses.

The subject and body can be customized and can be automated to be sent in a variety of situations

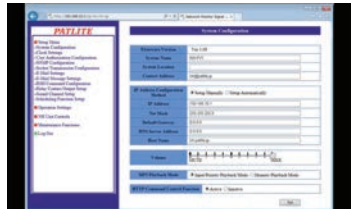


SNMP TRAP Transmission

Send emails to a maximum of 8 addresses.

Device Setup Brower

The settings of the NH can be easily configured on your PC via the setup browser. This also enables remote firmware updates.



PNS Manager

This software configures PNS protocol settings. Confirm and change settings of each NH unit while multiple units are installed on the network.



Supports DHCP

Dynamic Host Configuration Protocol (DHCP) is a network management client/server protocol that automatically assigns an IP address to each device on a network so they can communicate with other IP networks.

Supported operating systems:
Windows® XP/Windows Vista®/Windows® 7/
Windows® 8/Windows® 8.1/Windows® 10

LAN-Environment:
The 10BASE-T/100BASE-TX UDP is running.
Software: NET Framework 3.5 or later

Compatible models: NH-FB Series, NH-FV Series, NBM-D88

USB Signal Tower

LR6-USB

Φ60 mm	CE	RoHS 10	UL	FCC	KC	ICES	IP65	Indoor Use	Upright Mounting
Ambient Temperature -20°C~+50°C	USB Bus Power	Red, Amber, Green, Blue, White, Multi-color: 7 colors	Continuous On	4 Flash Patterns	60 Flashes per Minute	120 Flashes per Minute	80dB	4 Alarm Sounds	DLL



LR6-USBK (body unit) LR6-3USBK-RYG (pre-assembled) LR6-USBW (body unit) LR6-3USBW-RYG (pre-assembled)

Model Number Configuration

LR6- USBW-RYG

- ①
- ②
- ③

- ① Number of Tiers
Blank = Body unit only
3 = 3 tiers
- ② Body Color
W = Off-white
K = Black
- ③ Luminous Color
Blank = body unit only
RYG = Red / Amber / Green from top to bottom

Optional Parts

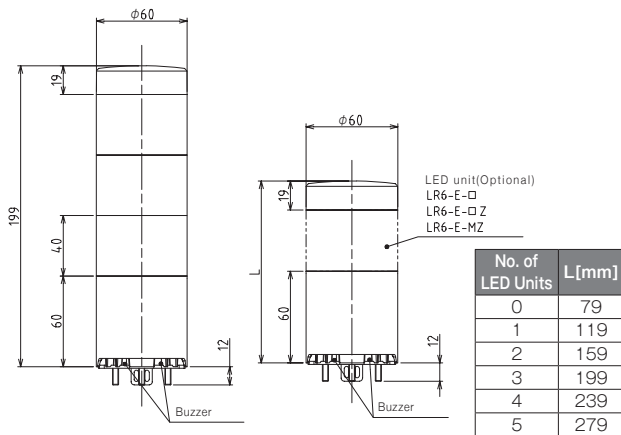
For details refer to P. 99 to P. 104

Product Description	Model Number
Upper pole bracket	SZP-004W
Wall mounting bracket	SZK-003W
Pole mounting bracket	SZ-016A
Pole mounting bracket	SZ-010
Pole (100mm)	POLE-100A21+O0109
Pole (300mm)	POLE-300A21+O0109
Pole (800mm)	POLE-800A21+O0109

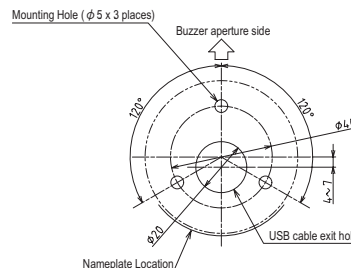
Dimensions (mm)

LR6-3USBW-RYG

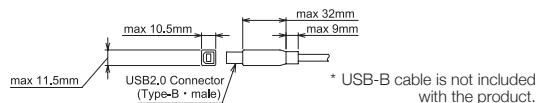
LR6-USBW



Mounting dimensions



Compatible USB cable dimensions



Product List

Model Number	Number of Tiers	Rated Voltage	Luminous Color	Power Consumption	Mass
LR6-3USBW-RYG / LR6-3USBK-RYG	3	5V DC (USB-bus power)	Red, Amber & Green	2.5W	0.32kg
LR6-USBW / LR6-USBK	-		-		0.14kg

Specification

OS compatible with software library (DLLs)	Windows® 7, Windows® 8 (excluding RT), ® 8.1 (excluding Windows® 8. 1RT), Windows® 10
Alarm Sounds	Select from 4 patterns and 13 pitches
Volume Control	About-10 dB when the internal switch is used.

Supports Both DLL and Protocol Control

- Custom programming made easy with our free software library (.DLL).
- Open architecture makes it possible to control the device with other operating systems such as Linux.
- Supports HID class. No exclusive drivers necessary.

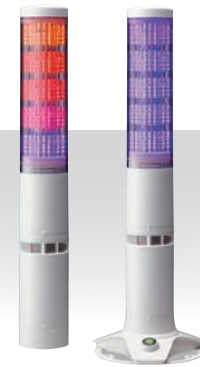
Demo Software



Confirm actual operation of the LED unit and buzzer. For details, please see our website.

Multi-color LED Signal Tower

LA6-POE



LA6-5DTNWB-POE
(Direct Mount Type)

LA6-5DSNWB-POE
(Stationary Type)

Model Number Configuration

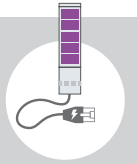
LA6-5DTNWB-POE



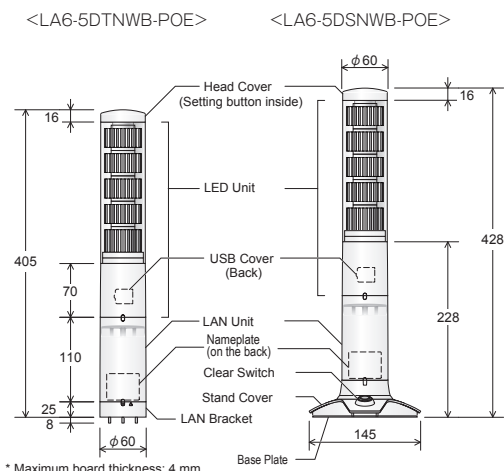
- ① Rated Voltage
24V DC
- ② Mounting
TN = Direct mounting
SN = Stationary
- ③ Body Color
W = Off White
- ④ Flashing/Alarms
B = With flashing and alarms
- ⑤ Extended Function
PoE-Compatible

What is PoE?

Stands for "Power of Ethernet" and describes a system where both data and power are supplied to a machine using a single Ethernet cable.



Dimensions (mm)



* Maximum board thickness: 4 mm

Product List

Model Number	Number of Tiers	Rated Voltage	Model Number	Power Consumption	Mass
LA6-5DTNWB-POE	5	24V DC	Direct mount	12.9W	0.63kg
LA6-5DSNWB-POE			Stationary	12.9W	0.78kg

Optional Parts

For details refer to P. 99 to P. 104

Product Description	Model Number
Stationary mount	SZW-060W
Wall Mount bracket	SZK-003W
Wall Mount bracket	NH-WST2
Pole mounting bracket	SZ-010
Pole mounting bracket	SZ-016A
Upper pole bracket (pole waterproof ring/screw included)	SZP-004W
Pole (100mm)	POLE-100A21+O0109
Pole (300mm)	POLE-300A21+O0109
Pole (800mm)	POLE-800A21+O0109

Specification

Supported Transistors (NPN/PNP)	NPN / PNP
Communication Specifications (Physical to Application)	Physical layer: 10BASE-T/100BASE-TX(Auto-MDI/MDIX support) Data link layer: CSMA/CD network layer: IP, ARP, ICMP Transport layer: TCP, UDP Application layer: HTTP/DHCP/Modbus/TCP/Socket (corresponds to PHN, PNS commands)
Alarm Sound	Select from 11 patterns
Volume Control	Multi-function button / Device Setup Browser

Communication Protocols

HTTP Commands

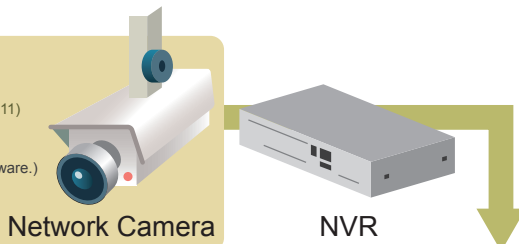
The LA6-POE accepts HTTP commands sent through a web browser or PLC to trigger visual and audible alert functions.

■ Detailed Motion Control (The color of each tier can be controlled.)

Execute command
(Tier 1: Green, Tier 2: Blue, Tier 3: Off, Tier 4: White, Tier 5: Red, Flashing off, Alarm: Pattern 11)
`http://192.168.10.1/api/control?color=46091&buzzer=11`

■ Smart Mode Control (Configure Smart Mode settings via the EDITOR software.)

Execute command (Run smart mode group No.10)
`http://192.168.10.1/api/control?smart=10`



SOCKET Communication

PNS Commands supported By using PNS commands, you can control all notification patterns.

■ Detailed Motion Control (Control specific LED colors for tiers 1 to 5)

Execute command
(Tier 1: Green, Tier 2: Blue, Tier 3: Off, Tier 4: White, Tier 5: Red, Flashing off, Alarm: Pattern 11)
41H, 42H, 44H, 00H, 00H, 07H, 04H, 06H, 00H, 09H, 01H, 00H, 0BH

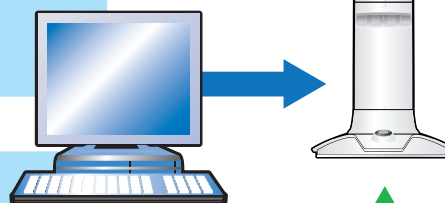
■ Smart Mode Control (Configure Smart Mode settings via the EDITOR software.)

Execute command (Run smart mode group No.10)
41H, 42H, 54H, 00H, 00H, 01H, 0AH

PNS Command Control with 2-byte command.

Execute command
(Tier 1: Continuous ON, Tier 2: Flashing, Tier 3: Off, and Alarm: Pattern 2)
57H, 51H

* Control the Continuous ON, Flashing, and 2 Alarms on tiers 1~3.

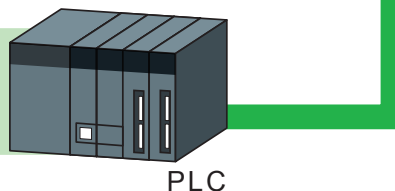


Modbus/TCP

The LA6-POE accepts Modbus TCP/UDP commands from a PLC to control visual and audible alert functions.

■ Smart Mode Control (Configure Smart Mode settings via the EDITOR software.)

Execute command
(When operating the Signal Tower in Smart Mode group number 15.)
00H, 00H, 00H, 00H, 00H, 06H, 01H, 06H, 00H, 06H, 01H, 0FH



LAN / USB / PoE / Wireless

Signal Tower

Beacons

Cube Tower

Audible Alarms and MP3 Voice Annunciators

Hybrid Signaling Devices

LED Illumination

Explosion Proof

Optional Parts

Interface Converter with Signal Tower

PHE

Φ40 mm	CE	RoHS 10	UL	FCC	KC (N type only)	IP20	RS-232C	Indoor Use
Upright Mounting	Ambient Temperature 0°C~+40°C	USB Bus Power	Red, Amber, Green	Continuous On	37.5 Flashes per Minute	75 Flashes per Minute	80dB	4 Alarm Sounds

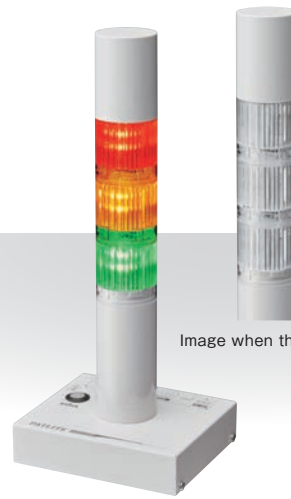
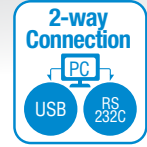


Image when the light is off



PHE

LAN / USB / PoE / Wireless

Signal Tower

Beacons

Cube Tower

Audible Alarms and MP3 Voice Annunciators

Hybrid Signaling Devices

LED Illumination

Explosion Proof

Optional Parts

Model Number Configuration

PHE-3FB3N-RYG

①

① AC adapter
N = AC adapter not included

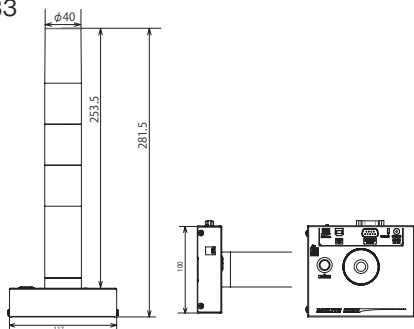
Optional Parts

For details refer to P. 99 to P. 104

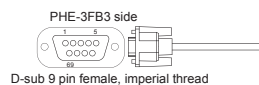
Product Description	PNS Command
Tint film	NHP-TF (for NHP-FV2/FB2 and PHE-3FB3 types)
AC adapter	ADP-001

Dimensions (mm)

■ PHE-3FB3



■ Routing to RS-232C Ports

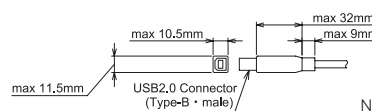


D-sub 9 pin female, imperial thread

Signal name	Pin number
TXD	2
RXD	3
GND	5
CTS	7
RTS	8

Note: RS-232C cable not included.

■ Compatible USB cable dimensions



Note: USB cables not included.

Product List

Model Number	Number of Tiers	Rated Voltage	AC Adapter	Luminous Color	Power Consumption	Mass
PHE-3FB3N-RYG	3	24V DC, 5V DC (USB-bus power)	None	Red, Amber, Green, with clear lens	4.4W	0.545kg

Specification

USB driver compatible OS	Windows®7(32bit,64bit), Windows®8(32bit,64bit), Windows®8.1(32bit,64bit), Windows®10(32bit,64bit), Windows Server® 2008 R2, Windows Server® 2012, Windows Server® 2012 R2
Alarm Sound	4 patterns
Volume Control	Sound can be reduced by using the supplied sound reduction sheet. DIP switch (-10 dB) in the buzzer unit

Interface Converter

NBM

- CE
- RoHS 10
- UL
- FCC
- KC
- IP20
- Indoor Use
- Upright Mounting
- Ambient Temperature 0°C~+40°C
- Ethernet
- HTTP Command
- RSH
- PING
- SNMP
- E-mail Alerts
- SOCKET
- 8 Inputs
- 8 Outputs

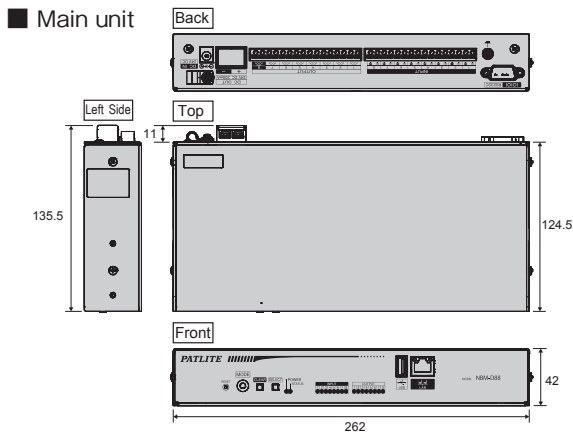


* AC adapter not included.

Product List

Model Number	Rated Voltage	AC Adapter	Power Consumption	Mass
NBM-D88NN	24V DC	None	14W	1.15kg

Dimensions (mm)



Specification

Supported Transistors	NPN
Communication spec (physical layer to application layer)	Physical layer: Ethernet(IEEE802.3 compliant) 10BASE-T/100BASE-TX (auto-negotiation) Connector shape: RJ-45 8-pole Data link layer: CSMA/CD Method Network layer: IP/ARP/ICMP Transport layer: TCP/UDP Application layer: HTTP, NTP, Socket (PHN/PNS) SMTP-SNMP (V1, V2C), DHCP, DNS, POP3, RSH

Optional Parts

For details refer to P. 99 to P. 104

Product Description	Model Number
Server rack mounting bracket	NBM-ANG
AC adapter	ADP-001

Digital Input Condition Setup Function

- Duration condition** Trigger the output with a timer.
- AND condition** Trigger the output with boolean logic.
- Count Condition** Trigger the output with repeated inputs.

By setting the input detection method, the NBM can be used in a variety of environments and applications. Set a temperature alarm with a temperature sensor, Set an area notification with an infrared sensor, etc.

Operations that can be performed using the condition setting function

Digital output control	Turning Digital Outputs ON or OFF
Send RSH command	Sending a remote shell command to a device at the specified address
Send socket	Sending PHN/PNS Commands to Devices at the Specified Addresses
Trap sending	Sending SNMP Traps to Devices with Configured Addresses
Send mail	Sending Mail to a Specified Mail Server

Interface Converter

PHC

CE

RoHS 10

UL

FCC

IP20

Indoor Use

Upright Mounting

Ambient Temperature 0°C~+40°C

USB Bus Power

RS-232C

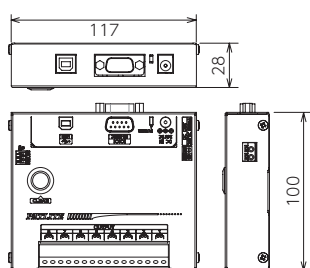
8 Outputs

2-way Connection

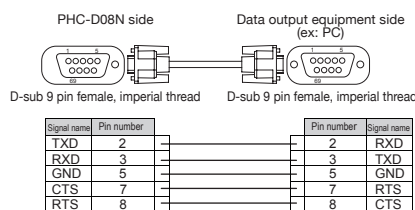


Dimensions (mm)

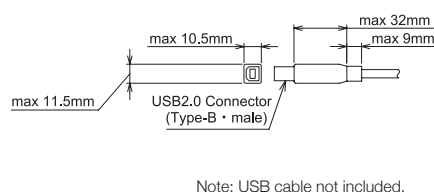
PHC-D08N



Wiring for RS-232C port



Compatible USB cable dimensions



Product List

Model Number	Rated Voltage	AC Adapter	Power Consumption	Mass
PHC-D08N	24V DC, 5V DC (USB-bus power)	None*	14.5W	0.37kg

* Power output only available with AC adapter

Specification

USB driver compatible OS	Windows®7(32bit,64bit), Windows®8(32bit,64bit), Windows®8.1(32bit,64bit), Windows®10(32bit,64bit), Windows Server® 2008 R2, Windows Server® 2012, Windows Server® 2012 R2
---------------------------------	---

Optional Parts For details refer to P. 99 to P. 104

Product Description	Model Number
AC adapter	ADP-001