




Cube Tower

Page number	Page 131			Page 133				Page 135		
Model Name	Small LED Cube Tower			Small Cube Tower				Cube Tower		
Model	KES			KJS				KJ		
Product image										
Rated Voltage	24V DC	100V AC	220V AC	12V DC	24V DC	100V AC	220V AC	24V DC	100V AC	220V AC
Size (mm)		□82			□82			□116		
IP		23			23			23		
Buzzer sound pressure in dB (at a distance of 1m)		85			85			85		
Body		ABS			ABS			ABS		
Globe		AS			AS			AS		
Light Source		LED			Light bulb (with spare light bulb)			Light bulb (with spare light bulb)		
Open collector		NPN			NPN					

* For specifications, see the product page.

Network

Signal Tower

Signal Light

Revolving
Warning Light

Cube Tower

Audibles

Hybrid
Signaling
Devices

LED
Illumination

Options

KES

KES type
KESB type <with buzzer>



Colors	Red, Amber, Green
Globe	The material is AS resin, which is translucent and highly weather resistant.
Volume	Maximum 85dB (at 1m) (volume not adjustable)

The KES Series features an 82mm width, maintenance-free LEDs, and a rotating motor for enhanced signaling.

- Built-in 85dB audible alarm
- Built-in, motor-based, rotating LED light
- Weather resistant body design
- NPN type
- Available colors: Red, Amber, Green

- Standard Colors:
1-Tier model / Red (-R), Amber (-Y), Green (-G)
2-Tier model / Red-Amber (-RY), Red-Green (-RG)
3-Tier model / Red-Amber-Green (-RYG)

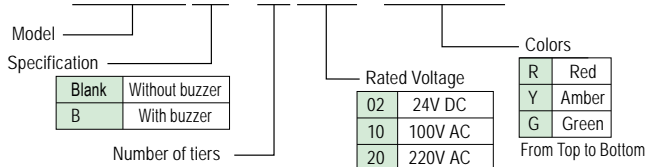
Specification

Number of tiers	Model	Rated Voltage	Power Consumption	
			KES type	KESB type
1-Tier model	KES-102	24V DC	6.5W	7.5W
	KESB-102			
	KES/KESB-110	100V AC	6.4W	7.3W
2-Tier model	KES/KESB-120	220V AC	13.0W	13.0W
	KES/KESB-202	24V DC		
	KES/KESB-210	100V AC	10.5W	11.0W
3-Tier model	KES/KESB-220	220V AC	19.5W	19.5W
	KES/KESB-302	24V DC		
	KES/KESB-310	100V AC	14.0W	15.0W
	KES/KESB-320	220V AC		

Number of flashes ··· 100/min

Model Code

KESB-302-RYG

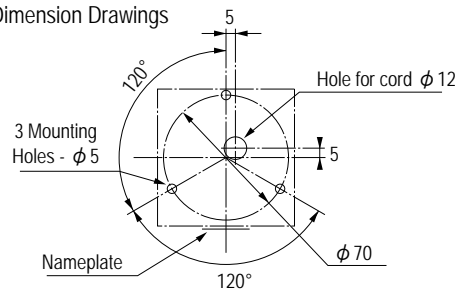
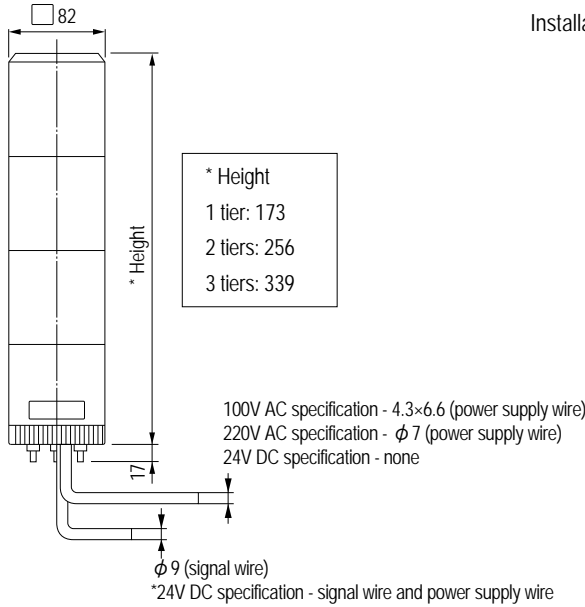


Optional Parts

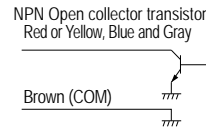
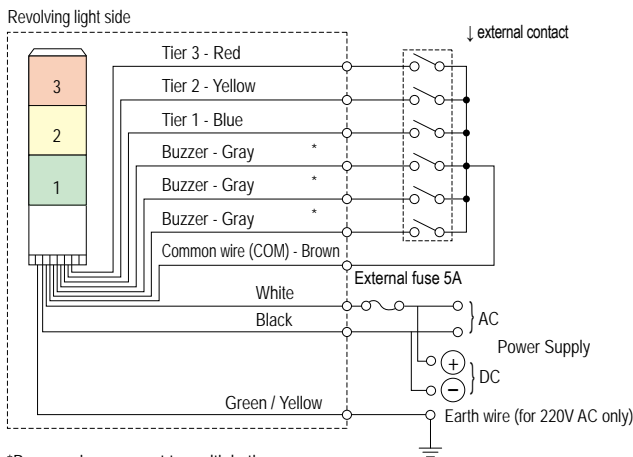
For details, see pages 182 to 187.

Optional Parts	Model
Wallmount Bracket	SZ-007

Dimensions (mm)



Wiring Diagram



Transistor Capacity (Recommended) (NPN)

Model	KES (KESB)
Current Capacity	$I_c \geq 50mA$ ($I_c \geq 300mA$)
Withstand Voltage	$V_c \geq 45V$

Signal wire current and contact capacity per tier

Voltage	Revolving light wire current	Buzzer wire current	Revolving light wire contact capacity	Buzzer wire contact capacity
24V DC	34mA	80mA	50mA or more	300mA or more
100V AC				
220V AC				

Nominal Cross-sectional Area : Wire Type: Wire Length

Signal wire AWG22 : UL1007 : 250mm
 24V DC power supply wire AWG20 : UL1007 : 280mm
 AC100V power supply wire 0.75mm² : VCTFK : 280mm
 AC220V power supply wire 0.75mm² : VCTF : 280mm

- *Buzzer wire goes out to multiple tiers.
- *Only 1 buzzer sound. (continuous beep sound)
- *Customer cannot change the color scheme or increase/decrease tiers.
- *KES does not have a buzzer (Gray) wire.
- *When finished wiring, please be sure to insulate the tip of the unused wire with insulation tape.

KJS

KJS type
KJSB type <with buzzer>



Colors	Red, Amber, Green, Blue
Globe	The material is AS resin, which is translucent and highly weather resistant.
Volume	Maximum 85dB (at 1m) (volume not adjustable)

The KJS Series features an 82mm width, a built-in 85dB audible alarm, and incandescent bulbs as the light source.

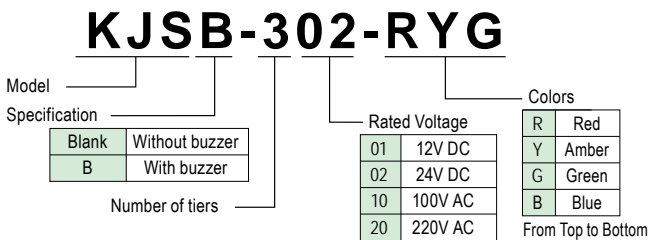
- Built-in 85dB audible alarm
- Light flash rate of 160 per minute
- Weather resistant body design
- NPN type
- Comes in multiple voltages
- Available colors: Red, Amber, Green, Blue
- Standard Colors:
Single-tier type/red (-R), yellow (-Y), green (-G), blue (-B)
2-Tier model / Red-Amber (-RY), Red-Green (-RG)
3-Tier model / Red-Amber-Green (-RYG)

Specification

Number of tiers	Model	Rated Voltage	Power Consumption		Bulb	Number
			KJS type	KJSB type		
1-Tier model	KJS(B)-101	12V DC	Max.5.8W	Max.6.1W	12V 10W	9
	KJS(B)-102	24V DC	Max.13.3W	Max.14.4W	24V 10W	10
	KJS(B)-110	100V AC	Max.9.0W	Max.9.5W	12V 5W	12
	KJS(B)-120	220V AC				
2-Tier model	KJS(B)-201	12V DC	Max.11.5W	Max.11.9W	12V 10W	9
	KJS(B)-202	24V DC	Max.26.5W	Max.27.6W	24V 10W	10
	KJS(B)-210	100V AC	Max.17.2W	Max.17.8W	12V 5W	12
	KJS(B)-220	220V AC				
3-Tier model	KJS-301	12V DC	Max.17.3W	Max.17.6W	12V 10W	9
	KJS-302	24V DC	Max.39.7W	Max.40.9W	24V 10W	10
	KJS(B)-310	100V AC	Max.25.8W	Max.26.4W	12V 5W	12
	KJS(B)-320	220V AC				

*Standard stock products do not have a buzzer.
Bulb Shape ··· glass bulb G18; base BA15S; number of flashes ··· 160/min

Model Code



Optional Parts

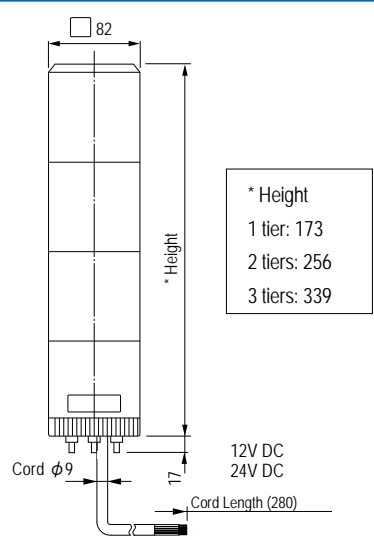
For details, see pages 182 to 187.

Optional Parts	Model
Wallmount Bracket	SZ-007

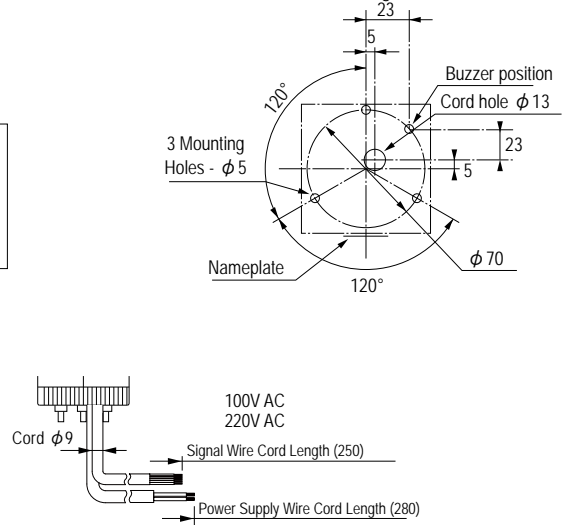
Light bulb No.	Model
9	D01201003A-F1
10	D02401003A-F1
12	D01200503A-F1

*Light bulbs come in packs of 10.
*Stock for some light bulbs may be limited, as products become discontinued.
We ask for your understanding in this regard.

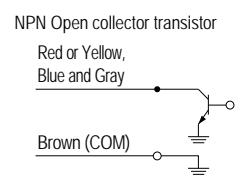
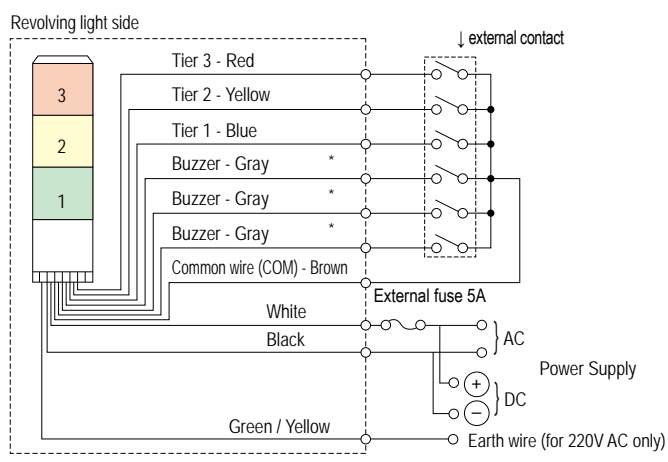
Dimensions (mm)



Installation Dimension Drawings



Wiring Diagram



Transistor capacity (recommended) (NPN)

Model	KJS (KJSB)
Current Capacity	$I_C \geq 50mA$ ($I_C \geq 300mA$)
Withstand Voltage	$V_{CE} \geq 45V$

Signal wire current and contact capacity per tier

Voltage	Revolving light wire current	Buzzer wire current	Revolving light wire contact capacity	Buzzer wire contact capacity
12V DC	34mA	80mA	50mA or more	300mA or more
24V DC				
100V AC				
220V AC				
220V AC				

Nominal Cross-sectional Area : Wire Type : Wire Length
 12/24V DC power supply wire 0.5mm² : UL1007 : 280mm
 100V AC power supply wire 0.75mm² : VCTFK : 280mm
 220V AC power wire 0.75mm² : VCTF : 280mm

- *Buzzer wire goes out to multiple tiers.
- *Only 1 buzzer sound. (continuous beep sound)
- *Customer cannot increase/decrease tiers.
- *KJS does not have a buzzer (Gray) wire.
- *When finished wiring, please be sure to insulate the tip of the unused wire with insulation tape.

- Network
- Signal Tower
- Signal Light
- Revolving Warning Light
- Cube Tower
- Audibles
- Hybrid Signaling Devices
- LED Illumination
- Options

KJ type
KJB type <with buzzer>



Colors Red, Amber, Green, Blue

Globe The material is AS resin, which is translucent and highly weather resistant.

Volume Maximum 85dB (at 1m) (volume adjustable within 70-85dB (at 1m))

The KJS Series features an 116mm width, a built-in 85dB audible alarm, and incandescent bulbs as the light source.

- Built-in 85dB audible alarm
- Light flash rate of 160 per minute
- Weather resistant body design
- Comes in multiple voltages
- Available colors: Red, Amber, Green, Blue

• Standard Colors:

Single-tier type/Red (-R), Amber (-Y), Green (-G), Blue (-B)

2-Tier model / Red-Amber (-RY), Red-Green (-RG)

3-Tier model / Red-Amber-Green (-RYG)

4-Tier model / Red-Amber-Green-Blue (-RYGB)

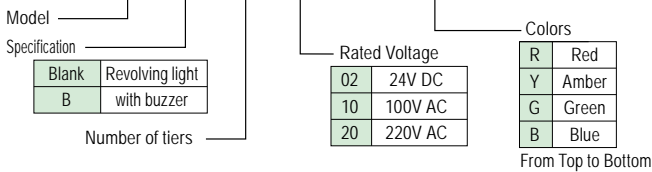
Specification

Number of tiers	Model	Rated Voltage	Power Consumption		Bulb	Number
			KJ type	KJB type		
1-Tier model	KJ(B)-102	24V DC	Max.13.3W	Max.13.9W	24V 10W	10
	KJ(B)-110	100V AC	Max. 7.5W	Max. 7.8W	12V 5W	12
	KJ(B)-120	220V AC				
2-Tier model	KJ(B)-202	24V DC	Max.26.6W	Max.27.2W	24V 10W	10
	KJ(B)-210	100V AC	Max.12.5W	Max.12.9W	12V 5W	12
	KJ(B)-220	220V AC				
3-Tier model	KJ(B)-302	24V DC	Max.40.0W	Max.40.6W	24V 10W	10
	KJ(B)-310	100V AC	Max.17.3W	Max.17.7W	12V 5W	12
	KJ(B)-320	220V AC				
4-Tier model	KJ(B)-402	24V DC	Max.53.3W	Max.53.9W	24V 10W	10
	KJ(B)-410	100V AC	Max.22.1W	Max.22.5W	12V 5W	12
	KJ(B)-420	220V AC				

Bulb Shape ··· glass bulb G18; base BA15S; number of flashes ··· 130/min

Model Code

KJB-420-RYGB



Optional Parts

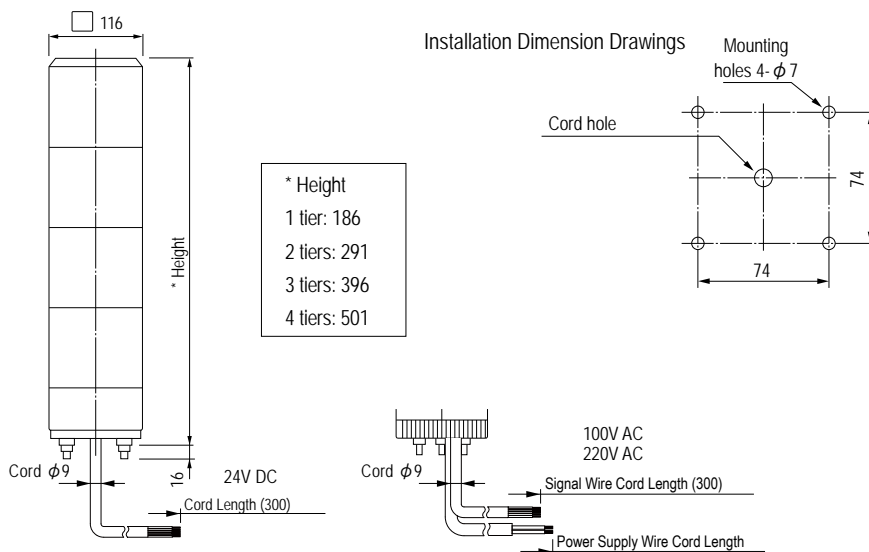
For details, see pages 182 to 187.

Optional Parts	Model
Wallmount Bracket	SZ-023
Wallmount Bracket	SZ-008

Light bulb No.	Model
10	D02401003A-F1
12	D01200503A-F1

*Light bulbs come in packs of 10.
*Stock for some light bulbs may be limited, as products become discontinued.
We ask for your understanding in this regard.

Dimensions (mm)



Network

Signal Tower

Signal Light

Revolving Warning Light

Cube Tower

Audibles

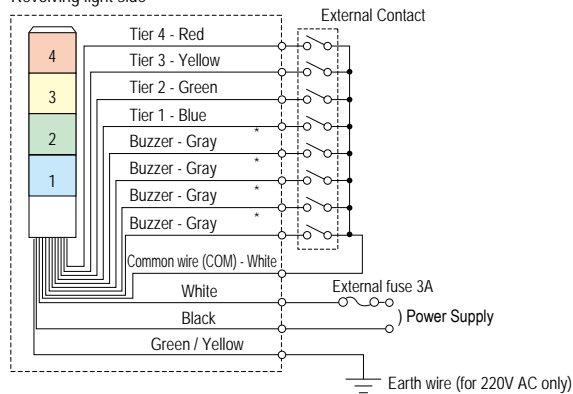
Hybrid Signaling Devices

LED Illumination

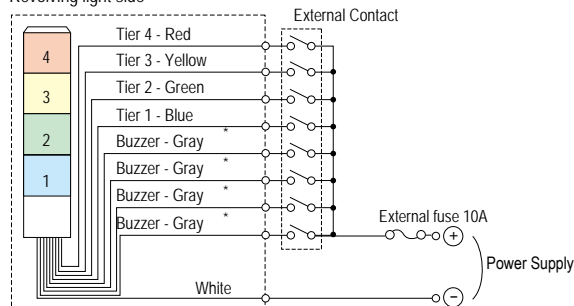
Options

Wiring Diagram

KJ/KJB type (100V AC, 220V AC)
Revolving light side



KJ/KJB type (24V DC)
Revolving light side



■ Signal wire current and contact capacity per tier

Voltage	Signal Wire Current	Inrush Current	External Contact Capacity	Buzzer wire current	Buzzer inrush current
24V DC	450mA	4.5A	50mA or more	Current 30mA	Inrush current 0.3A
AC100V/AC220V					

Nominal Cross-sectional Area : Wire Type : Wire Length

24V DC power supply wire 0.5mm² : UL1430 : 300mm

100V AC 0.75mm² : VCTF : 280mm

220V AC power wire 0.75mm² : VCTF : 280mm

Signal wire 0.3mm² : UL1430 : 300mm

- *Buzzer wire goes out to multiple tiers.
- *Only 1 buzzer sound. (continuous beep sound)
- *Customer cannot increase/decrease tiers.
- *KJ does not have a buzzer (Gray) wire.
- *When finished wiring, please be sure to insulate the tip of the unused wire with insulation tape.
- *KJ single-tier type (100V AC, 220V AC) has driving power supply. (Has power supply wire only; no signal wire)