









Signal Light

Page number	Page 99	Page 100	Page 101					Page 102				
Model Name	Small LED Signal Light	Multi-color LED Signal Light	Small LED Signal Light									
Model	NE	NE-M1-CL7	PES-A					PEW-A				
Product image												
Rated Voltage	24V DC	12 - 24V DC	24V AC/DC	100V AC	120V AC	200V AC	230V AC	24V AC/DC	100V AC	120V AC	200V AC	230V AC
Size (mm)	φ 57	φ 57	φ 82					φ 82				
IP	65	66/67	23 (55 when mount rubber -sold separately- is used)					54 (23 when the cord sticks out at the side)				
Buzzer sound pressure in dB (at a distance of 1m)								70 - 85				
Body	ABS	ABS	ABS					ABS				
Globe	Polycarbonate	Polycarbonate	AS					AS				
Light Source	LED	LED	LED					LED				
Lighting, flashing pattern	Lighting	Lighting	Lighting, flashing (in 3 stages)					Lighting, flashing (in 3 stages)				
Terminal Block												
Open collector			NPN					NPN				
CE Marking	<input type="radio"/>	<input type="radio"/>	<input type="radio"/>					<input type="radio"/>				
RoHS	<input type="radio"/>	<input type="radio"/>			<input type="radio"/>					<input type="radio"/>		
UL Standard		<input type="radio"/>	<input type="radio"/>		<input type="radio"/>		<input type="radio"/>	<input type="radio"/>		<input type="radio"/>		<input type="radio"/>

Page number	Page 109			Page 109		
Model Name	Medium LED Flash Signal Light			Large LED Flash Signal Light		
Model	XPE			XME		
Product image						
Rated Voltage	12V DC	24V DC	100/200/230V AC	12V DC	24V DC	100/200/230V AC
Size (mm)		φ 162			φ 187	
IP		23			23	
Buzzer sound pressure in dB (at a distance of 1m)						
Body		AES			SPCD	
Globe		AS			Polycarbonate	
Light Source		LED			LED	
Lighting, flashing pattern		Triple flash			Triple flash	
Terminal Block						
Open collector						
CE Marking	<input type="radio"/>	<input type="radio"/>	<input type="radio"/>	<input type="radio"/>	<input type="radio"/>	<input type="radio"/>
RoHS	<input type="radio"/>	<input type="radio"/>	<input type="radio"/>	<input type="radio"/>	<input type="radio"/>	<input type="radio"/>
UL Standard						

Page number	Page 104	Page 105		Page 106				Page 108
Model Name	Small LED Signal Light	Small LED Flash Signal Light						Battery-powered Flash Signal Light
Model	KHE	PSE		LFH				PFH-BT
Product image								
Rated Voltage	24V DC	12/24V DC	100 - 230V AC	12V DC	24V DC	48V DC	100/120/200/230V AC	AA battery cell x 4
Size (mm)	φ 100	φ 82		φ 100				φ 100
IP	23 (55 when mount rubber is used-sold separately)	23 (55 when mount rubber is used-sold separately)		66				55
Buzzer sound pressure in dB (at a distance of 1m)								
Body	ABS	ABS		ABS				Polycarbonate
Globe	Polycarbonate	Polycarbonate		Polycarbonate				Polycarbonate
Light Source	LED	LED		LED				LED
Lighting, flashing pattern	Flashing, chase rotation, strobe	Triple flash		Triple flash				Double flash/Single flash
Terminal Block								
Open collector								
CE Marking	○	○		○ (excluding LFH-S)			○ (excluding LFH-S)	○
RoHS	○	○				○		○
UL Standard	○			○ (excluding LFH-S)				

Page number	Page 110		Page 111			Page 112	
Model Name	Medium LED Chase Light/Flashing Signal Light		Large LED Chase Light			Small Signal Light	
Model	KPE-A		KLE			PS	
Product image							
Rated Voltage	100V AC	220V AC	24V AC/DC	100V AC	200V AC	12V AC/DC	24V AC/DC
Size (mm)	φ 162		φ 162			φ 82	
IP	23		23			23 (55 when mount rubber is used-sold separately)	
Buzzer sound pressure in dB (at a distance of 1m)							
Body	AES		SPCD/SUS304			ABS	
Globe	AS		AS			Polycarbonate	
Light Source	LED		LED			Bulb	
Lighting, flashing pattern	Lighting, flashing (variable)		Chase light (variable)			Lighting	
Terminal Block							
Open collector							
CE Marking							
RoHS							
UL Standard							

* For specifications, see the product page.

NE

Network

Signal Tower

Signal Light

Revolving Warming Light

Cube Tower

Audibles

Hybrid Signaling Devices

LED Illumination

Options



Colors Red, Amber, Green, Blue, White

Globe Polycarbonate resin with superb shock resistance and heat resistance.

The NE Series features a compact design with long-life, zero maintenance LEDs. The NE signal lights are easy to install and carries an IP65 rating with high vibration resistance for operation in wet environments.

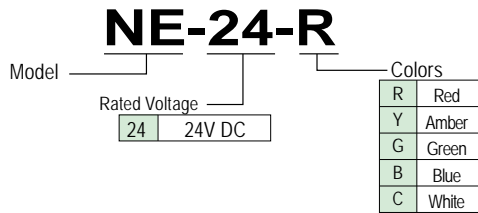
- Unique lens cut for enhanced visibility from all angles
- Built-in terminal block for easy wiring
- Very low power consumption
- IP65 rating - dust and water resistant



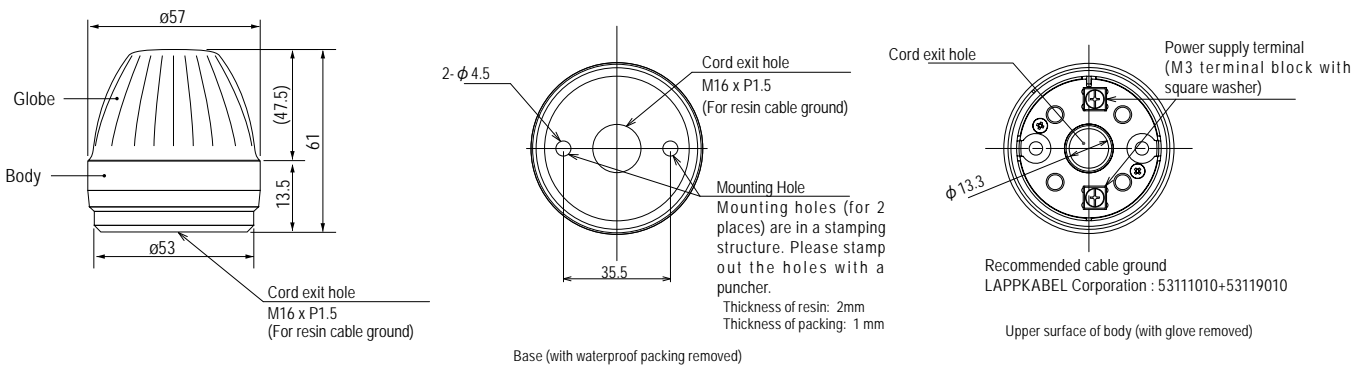
Specifications

Model	Rated Voltage	Power consumption (maximum)	Operating Temperature Range	Mounting location	Protection Rating	Mass
NE-24-R	24V DC	0.63W	-30 °C - +50 °C (90%RH or less)	Indoors only (specific circuit board)	IP65	55g
NE-24-Y		0.63W				
NE-24-G		0.56W				
NE-24-B		0.53W				
NE-24-C		0.45W				

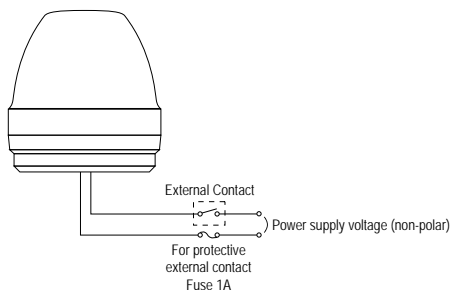
Model Code



Dimensions (mm)



Wiring Diagram



NE-M1-CL7



Colors	Red, Amber, Green, Blue, Aqua, Purple, White
Globe	Polycarbonate resin with superb shock resistance and heat resistance.

The NE-CL7 Series features a compact design with multi-color, 7 color LEDs. The NE-CL7 signal lights is easy to install and carries an IP66, and 67 ratings with high vibration resistance, ideal for sanitary cleaning applications.

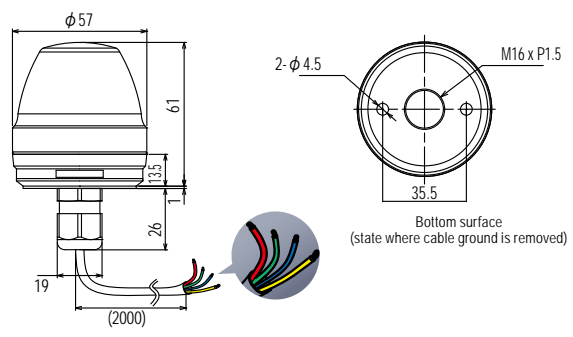
- Clear, frosted lens for reducing false indication and even light distribution
- Very low power consumption
- IP66, 67 rating - dust and water resistant
- Jacketed-cable line out



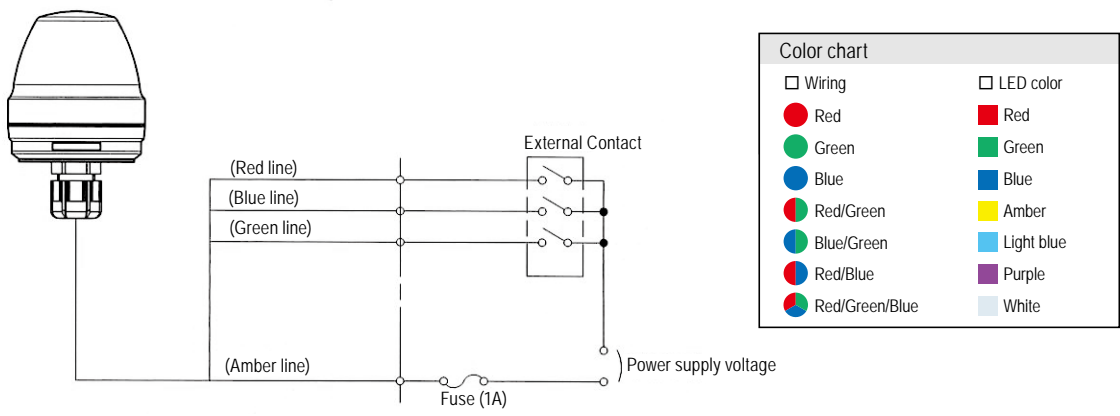
Specifications

Model	Rated Voltage	Power consumption (Standard)	Operating Temperature Range	Mounting location	Protection Rating	Mass
NE-M1-CL7+B0953	12 - 24V DC	1.35W	-20 °C - +50 °C (90%RH or less)	Indoors (specific circuit board)	IP66/IP67	150g

Dimensions (mm)



Wiring Diagram



Network

Signal Tower

Signal Light

Revolving Warning Light

Cube Tower

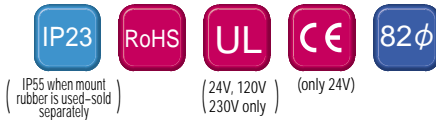
Audibles

Hybrid Signaling Devices

LED Illumination

Options

PES-A



Colors Red, Amber, Green, Blue

Globe The material is AS resin, which is translucent and highly weather resistant.

The PES Series features an 82mm diameter, maintenance-free LEDs, and comes in multiple voltage types

- Triple-reflection system for enhanced visibility and low power consumption
- 3 flashing patterns - 60/120/180 FPM with toggle switch
- Maintenance-free, high efficiency LEDs
- Outdoor weather resistant with effective light emission
- IP55 with gasket (SZ-210); IP23 without gasket
- Available Colors: Red, Amber, Green, Blue



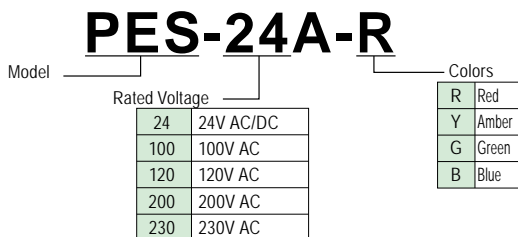
<IP55 compliant range when using mounting rubber>

Specifications

Model	Colors	Rated Voltage	Inrush Current	Power Consumption	Number of flashes	Mass	
PES-24A	-R/-Y	24V AC/DC	2.5A	1.5W	High-speed approximately 180/minute Medium-speed approximately 120/minute Low-speed of approximately 60/minute (Change with internal Switch)	0.24kg	
	-G/-B						
PES-100A	-R/-Y	100V AC	1.0A	3.3W		0.43kg	
	-G/-B						
PES-120A	-R/-Y	120V AC	1.0A	3.5W			0.43kg
	-G/-B						
PES-200A	-R/-Y	200V AC	0.5A	3.2W	0.43kg		
	-G/-B						
PES-230A	-R/-Y	230V AC	0.5A	3.8W		0.43kg	
	-G/-B						

* Products with specifications for 120V or 230V have not been manufactured for domestic use in Japan, thus if you want to use them in Japan, please use products with specifications for 100V or 200V.

Model Code



Optional Parts

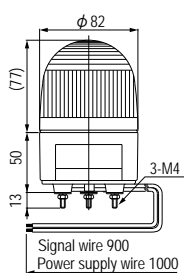
For details, see pages 182 to 187.

Optional Parts	Model
Mount rubber	SZ-210
Wallmount Bracket	SZ-008
Wallmount Bracket	SZ-007
Wallmount Bracket	SZ-023

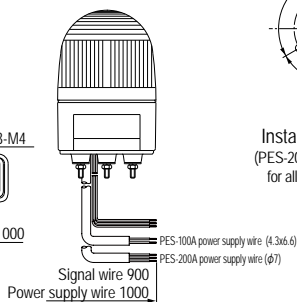
* When using a bracket for mounting on the wall-face, the IP value will still be 23, even when using the mount rubber.

Dimensions (mm)

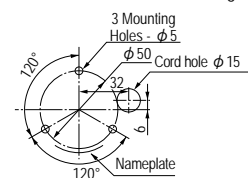
PES-24A
PES-120A
PES-230A



PES-100A
PES-200A

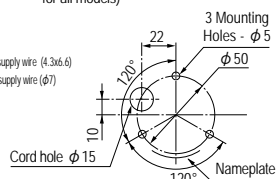


Installation Dimension Drawings

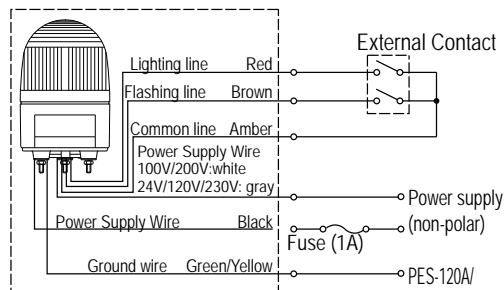


Installation Dimension Drawings

(PES-200A type, when using mount rubbers for all models)



Wiring Diagram



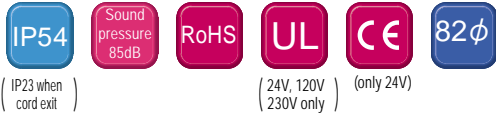
Lighting line blinking line
20V DC when open
55-83mA when short circuit

Nominal Cross-sectional Area, Wire Type: Wire Length
Signal Wire: AWG22: UL1007: 900mm
PES-24A power supply wire AWG20: UL1007: 1000mm
PES-120/230A power supply wire AWG18: UL1015: 1000mm
PES-100A power supply wire 0.75mm²: VCTFK: 1000mm
PES-200A power supply wire 0.75mm²: VCTF: 1000mm

* Connecting multiple units in parallel may cause a malfunction. Control using individual contacts.

PEW-A

PEW-A model
PEW-AB model (with audible)



Colors	Red, Amber, Green, Blue
Globe	The material is AS resin, which is translucent and highly weather resistant.
Volume	Maximum 85dB (at 1m) (PEW-AB type)

The PEW Series features an 82mm diameter, maintenance-free LEDs, and comes in multiple voltage types.

- Triple-reflection system for enhanced visibility and low power consumption
- Built-in 85dB audible alarm (PEW-AB model)
- 3 flashing patterns - 60/120/180 FPM with toggle switch
- Maintenance-free, high efficiency LEDs
- Outdoor weather resistant with effective light emission
- IP54; IP23 - when using side wire exit
- Available Colors: Red, Amber, Green, Blue

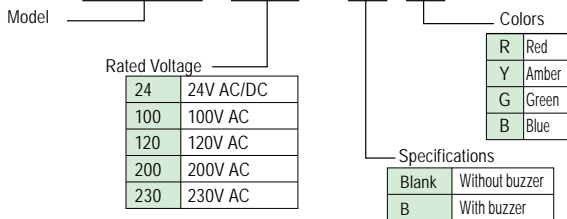
Specifications

Model	Colors	Rated Voltage	Inrush Current	Power Consumption	Number of flashes	Mass
PEW-24A	-R/-Y	24V AC/DC	2.5A	1.5W	High-speed approximately 180/minute Medium-speed approximately 120/minute Low-speed of approximately 60/minute (Change with internal Switch)	0.32kg
	-G/-B			2.7W		0.34kg
PEW-24AB	-R/-Y	100V AC	1.0A	3.3W		0.52kg
	-G/-B			5.0W		0.54kg
PEW-100A	-R/-Y	120V AC	1.0A	3.5W		0.52kg
	-G/-B			5.2W		0.54kg
PEW-100AB	-R/-Y	200V AC	0.5A	3.2W		0.52kg
	-G/-B			4.9W		0.54kg
PEW-120A	-R/-Y	230V AC	0.5A	3.8W		0.52kg
	-G/-B			5.5W		0.54kg
PEW-120AB	-R/-Y	230V AC	0.5A	3.8W	0.52kg	
	-G/-B			5.5W	0.54kg	
PEW-200A	-R/-Y	230V AC	0.5A	3.8W	0.52kg	
	-G/-B			5.5W	0.54kg	
PEW-200AB	-R/-Y	230V AC	0.5A	3.8W	0.52kg	
	-G/-B			5.5W	0.54kg	
PEW-230A	-R/-Y	230V AC	0.5A	3.8W	0.52kg	
	-G/-B			5.5W	0.54kg	
PEW-230AB	-R/-Y	230V AC	0.5A	3.8W	0.52kg	
	-G/-B			5.5W	0.54kg	

*Products with specifications for 120V or 230V have not been manufactured for domestic use in Japan, thus if you want to use them in Japan, please use products with specifications for 100V or 200V.

Model Code

PEW-24AB-R



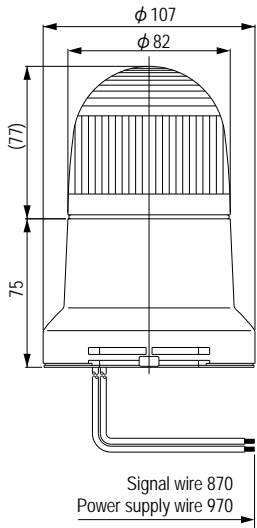
Optional Parts

Optional Parts	Model
Wallmount Bracket	SZ-007
Wallmount Bracket	SZ-008
Wallmount Bracket	SZ-023

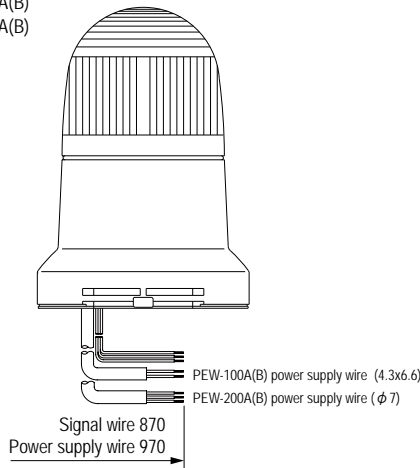
* When using SZ-007, SZ-008, or SZ-023, the cord will exit from the side.

Dimensions (mm)

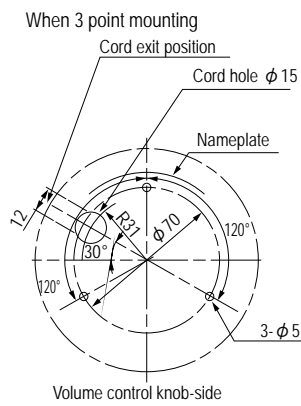
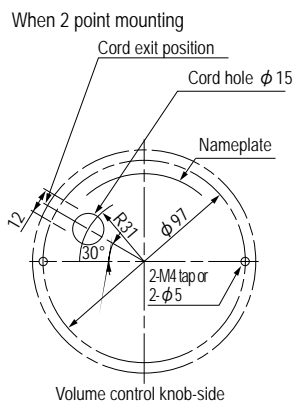
PEW-24A(B)
PEW-120A(B)
PEW-230A(B)



PEW-100A(B)
PEW-200A(B)



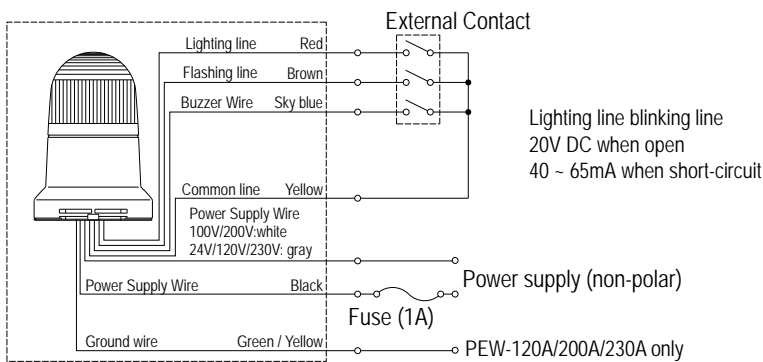
Installation Dimension Drawings



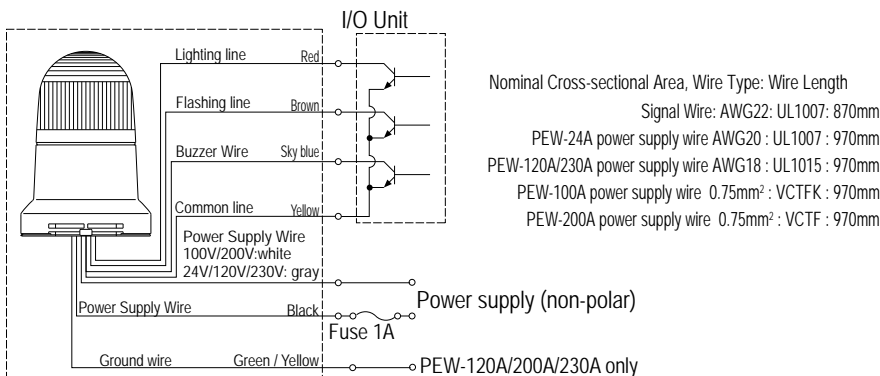
* For the length of the tap screw for 3 point mounting, please use those within the thickness of the clamp face +8mm. (Maximum board thickness: 5mm)

* Maximum board thickness when using the attached screw in 2 point mounting: 6mm

Wiring Diagram



NPN transistor



*Specifications for products without buzzers do not have a blue wire sticking out from the main body.
*Connecting multiple units in parallel may cause a malfunction. Control using individual contacts.

KHE



(IP55 when mount rubber is used—sold separately)

Colors Red, Amber, Green, Blue

Globe Polycarbonate resin with superb shock resistance and heat resistance

The KHE Series features a 100mm diameter, clear lenses to reduce false indication, and 3 distinct signaling patterns including simulated rotation.

- Unique lens cut for enhanced visibility from all angles
- 3 light pattern options: simulated rotation, strobe, flashing
- Rotating light option without a motor for longer product life
- Very low power consumption
- Available Colors: Red, Amber, Green, Blue

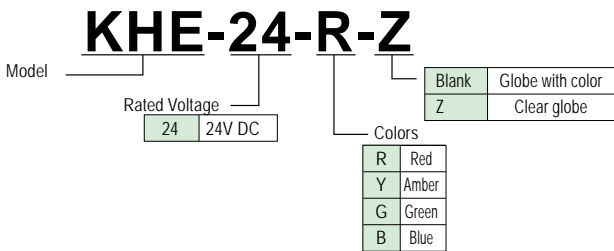


Specifications

Model	Rated Voltage	Power Consumption	Number of flashes			Mass
			When flashing pattern	simulated rotation	When strobe pattern	
KHE-24-R	24V DC	8.2W	55 times±10 minutes	175 times±10 minutes	Double flash 75 times±10 minutes	0.45kg
KHE-24-Y						
KHE-24-G						
KHE-24-B						

*Regarding the clear globe specification, size, price are the same for (-Z).

Model Code



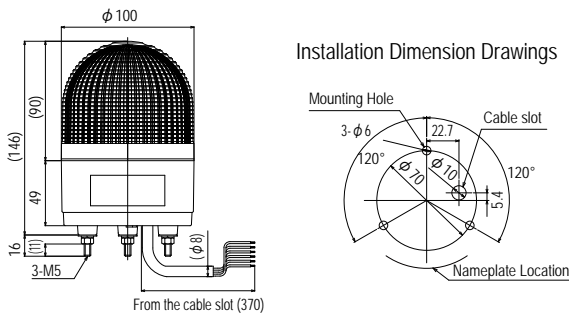
Optional Parts

For details, see pages 182 to 187.

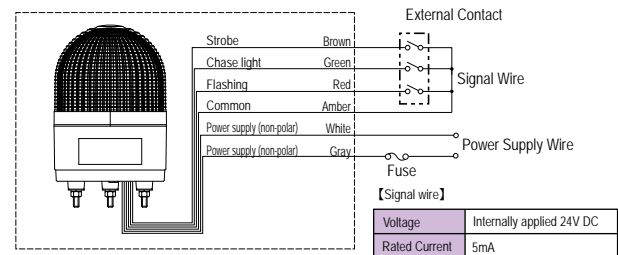
Optional Parts	Model
Mount rubber	SZ-200
Wallmount Bracket	SZ-007
Wallmount Bracket	SZ-023

* When using a bracket for mounting on the wall-face, the IP value will still be 23, even when using the mount rubber.

Dimensions (mm)



Wiring Diagram



*Regarding the fuse, use a fuse that suits the rated value of the machine on which the product is mounted.
*Maximum 20A, 5μs in-flow current flow in the power line. Please use a power source with consideration to capacity for this in-flow current.

PSE



(IP55 when mount rubber is used-sold separately)

Colors Red, Amber, Green, Blue

Globe The material is AS resin, which is translucent and highly weather resistant.

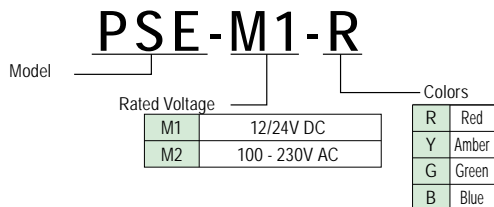
The PSE Series features an 82mm diameter, maintenance-free LEDs, and an unique triple-flash light pattern.

- Triple-flash light pattern with a rate of 110 flashes per minute
- Available in 12V or 24V and free range voltage input of AC 100-230V
- Available colors: Red, Amber, Green, Blue

Specifications

Model	Rated Voltage	Power Consumption	Flashing Rate	Mass
PSE-M1-R/Y	12/24V DC	3.0W	110 ±10/minute (triple flash)	0.30kg
PSE-M2-R/Y	100 - 230V AC	3.2W		0.35kg

Model Code



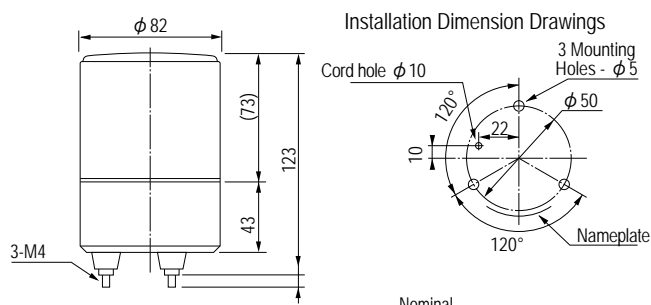
Optional Parts

For details, see pages 182 to 187.

Optional Parts	Model
Mount rubber	SZ-210
Wallmount Bracket	SZ-007

* When using a bracket for mounting on the wall-face, the IP value will still be 23, even when using the mount rubber.

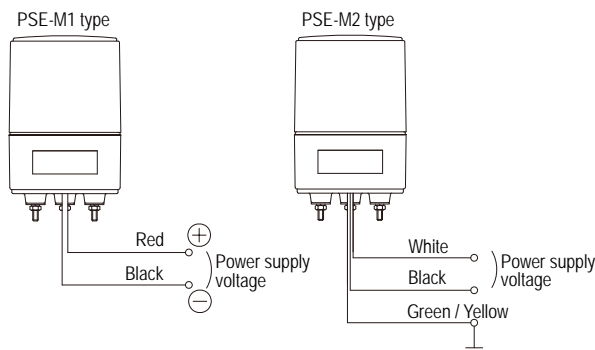
Dimensions (mm)



Nominal Cross-sectional Area : Wire Type : From the cord outlet

PSE-M1	AWG22	UL1007	(340) mm
PSE-M2	0.75mm ²	VCTFK	(340) mm

Wiring Diagram



LFH



- Colors** Red, Amber, Green, Blue, White
- Globe** Polycarbonate resin with superb shock resistance and heat resistance.

The LFH Series features a 100mm diameter, ultra-bright, maintenance-free LEDs, and comes in multiple voltage types.

- Outdoor-rated with ultra-bright LEDs
- Triple-flash light patterns with rates of 110 and 140 flashes per minute
- Light dimming function for use in close proximities or at night
- High vibration resistance, ideal for mounting on moving vehicles
- IP66 - dust, oil, water and non-corrosive material resistance
- Available Colors: Red, Amber, Green, Blue, White/Clear
- 3-year free-servicing after purchase

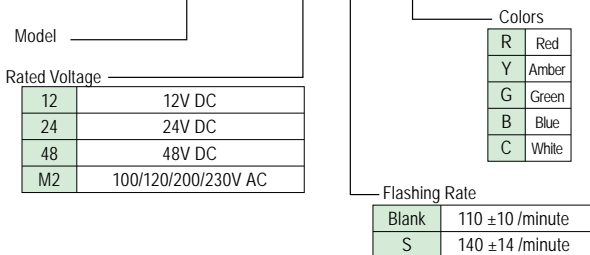


Specifications

Model	Rated Voltage	Operating Voltage Range	Power consumption (Standard) rated power Consumption (Upper Standard Lower Maximum)	Ambient Operating Temperature	Storage Ambient Temperature	Mounting location	Mounting direction	Protection Rating	Vibration Resistance	Flashing Rate	Mass
LFH-12	12V DC	9.5 - 15V DC	5.0W 6.0W	-30 °C - +70 °C	-40 °C - +80 °C	Indoor/ Outdoor	Forward, side, reverse directions (forward direction only in wet places)	IP66 (IEC 60529) when installed in the forward direction	90m/s2	110 ±10 /minute (triple flash)	570g
LFH-24	24V DC	20 - 30V DC	4.5W 5.5W								
LFH-48	48V DC	35 - 60V DC	6.5W 7.5W								
LFH-M2	100/120/200/230V AC (50/60Hz)	90 - 250V AC	5.7W 6.8W	-20 °C - +60 °C	-30 °C - +70 °C	Indoor/ Outdoor	Forward, side, reverse directions (forward direction only in wet places)	IP66 (IEC 60529) when installed in the forward direction	20m/s2	140±14 /minute (triple flash)	610g
LFH-12S	12V DC	9.5 - 15V DC	5.0W 6.0W	-30 °C - +70 °C	-40 °C - +80 °C				Indoor/ Outdoor		Forward, side, reverse directions (forward direction only in wet places)
LFH-24S	24V DC	20 - 30V DC	4.5W 5.5W								
LFH-48S	48V DC	35 - 60V DC	6.5W 7.5W								

Model Code

LFH-12S-R



Optional Parts

For details, see pages 182 to 187.

Optional Parts	Model
Wallmount Bracket	SZ-170
Wallmount Bracket	SZ-007

Network

Signal Tower

Signal Light

Revolving Warning Light

Cube Tower

Audibles

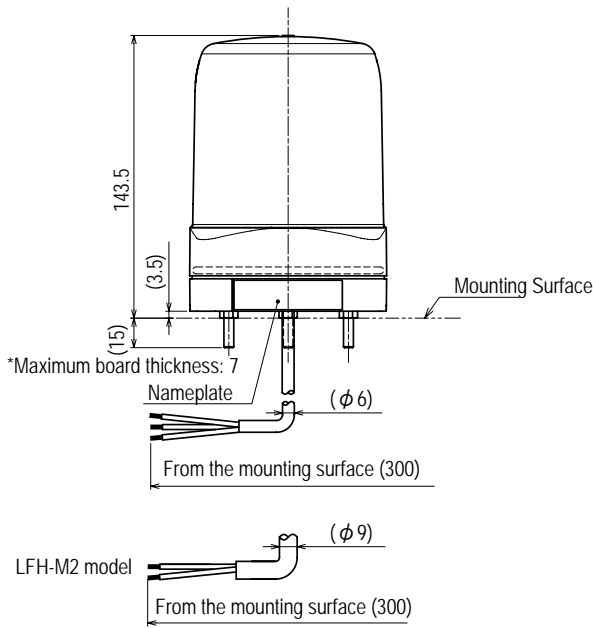
Hybrid Signaling Devices

LED Illumination

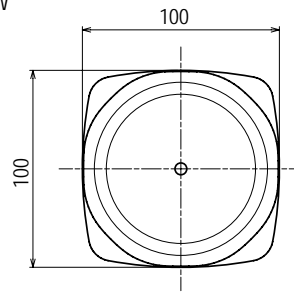
Options

Dimensions (mm)

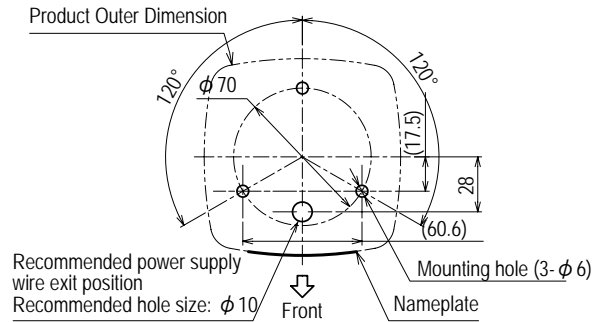
Side view



Top view

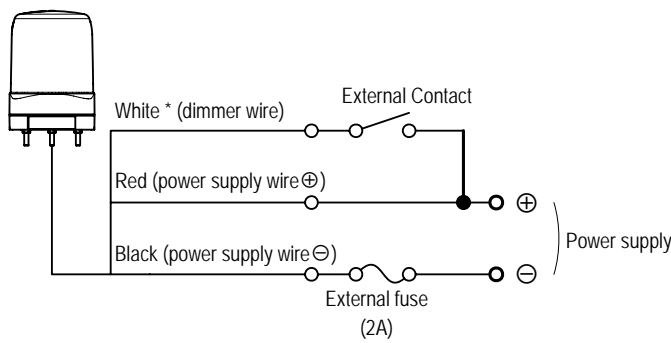


Installation Dimension Drawings

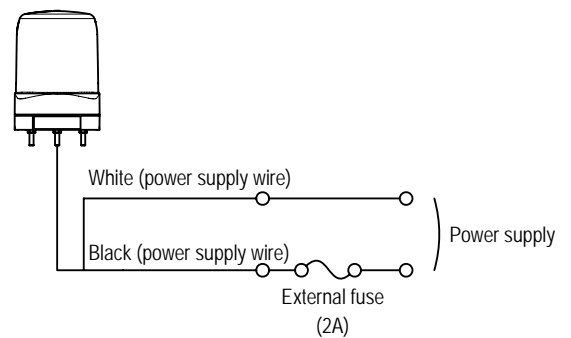


Wiring Diagram

LFH-12/24/48/12S/24S/48S model



LFH-M2 model



*Insulate the ends of the cable when the light dimmer function is not in use.

Conformity Standards

LFH-12	UL 1638, CAN/ULC-S526-M87 RoHS Directive EN 50581
LFH-24	EMC Directives (EN 55015, EN 61547) FCC Part 15 Subpart B Class A, ECE regulation No.10
LFH-48	UL 1638, CAN/ULC-S526-M87
LFH-M2	UL 1638, CAN/ULC-S526-M87 RoHS Directive EN 50581 EMC Directives (EN 61000-6-4, EN 61000-6-2) Low Voltage Directives (EN 60598-1, EN 60598-2-1, EN 62031, EN 61347-1, EN 61347-2-13, EN 62471) FCC Part 15 Subpart B Class A
LFH-12S	ECE Regulation No.10
LFH-24S	

PFH-BT

Battery U



- IP55
- 100φ
- RoHS
- With magnet
- LED flash
- AA battery x 4

- Colors Red, Amber
- Globe Polycarbonate resin, high shock resistance and heat resistance

The PFH Series features an 101mm diameter and an AA battery power supply and a strong magnetic base, ideal for temporary maintenance and "lock out, tag out" applications.

- Power is supplied by 4 standard AA batteries
- 2 built-in flash patterns with toggle switch
- 2 modes for efficient battery use with toggle switch
- IP55 protection rating White/Clear
- 3-year free-servicing after purchase

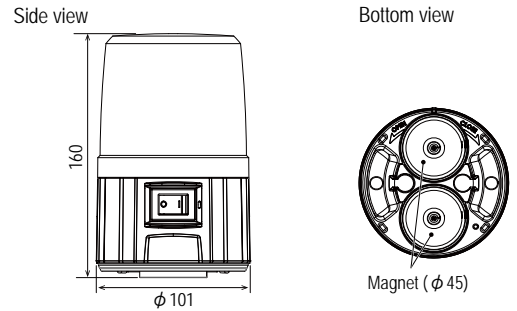


Specifications

Model	PFH-BT-R/Y
Power Supply	4 - AA Sized Alkaline/Nickel Metal Hydride Batteries
Battery life	Power mode: 24 hours, Eco mode: 100 hours*
Ambient Operating Temperature / Humidity	-10 °C - 50 °C 90% RH or less, no condensation (not including the battery)
Mounting Location / Direction	Indoors/outdoors, front/side direction (power switch facing downward)
Protection Rating	IP55 (Front)
Peak luminous intensity (Typ.)	Red: Over 40 cd, Amber: Over 140 cd (in power mode)
Mass	510g (excluding batteries)
Conformity Standards	RoHS Directive EN 50581, EMC Directives (EN61000-6-4, EN61000-6-2)

*Changes depending on the type of batteries, and conditions and environment in which it is used.

Dimensions (mm)



- Toggle between "Flash pattern" and "Lighting mode" depending on your application: Indoors, outdoors, day or night.

High visibility Power mode Battery life (24 h) *

Double flash

Single flash

Long time Eco-mode Battery life (100 h) *

Double flash

Single flash

* Changes depending on the type of batteries, and conditions and environment in which it is used.

As the battery wears out, the light gets dark, the visibility does not deteriorate and the brightness is maintained until the end.

Network

Signal Tower

Signal Light

Revolving Warning Light

Cube Tower

Audibles

Hybrid Signaling Devices

LED Illumination

Options

XPE



Colors Red, Amber, Green, Blue

Globe Polycarbonate resin with superb shock resistance and heat resistance

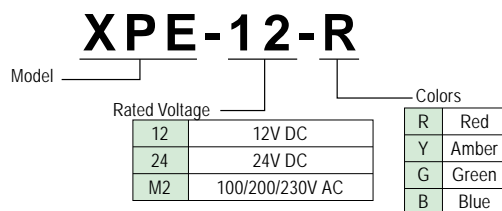
The XPE Series features a 162mm diameter, a triple-flash rate pattern, and multiple voltage options.

- Triple-flash pattern with 110 flash rate per minute
- Durable structure with stainless steel bolts
- Built-in dimmer function
- Available colors: Red, Amber, Green, Blue

Specifications

Model	Rated Voltage	Power Consumption	Flashing Rate	Mass
XPE-12	12V DC	5.0W	110±10 /minute (Triple flash)	1.2kg
XPE-24	24V DC	4.5W		
XPE-M2	100/200/230V AC	5.7W		

Model Code

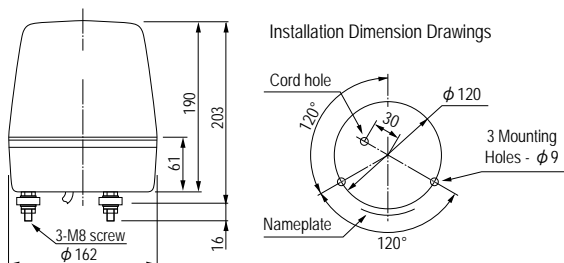


Optional Parts

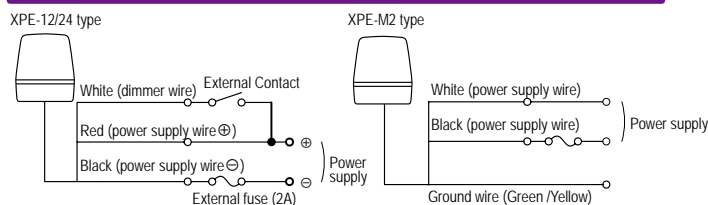
For details, see pages 182 to 187.

Optional Parts	Model
Wallmount Bracket	SZ-023
Wallmount Bracket	SZ-008

Dimensions (mm)



Wiring Diagram



XME



Colors Red, Amber, Blue

Globe Polycarbonate resin with superb shock resistance and heat resistance

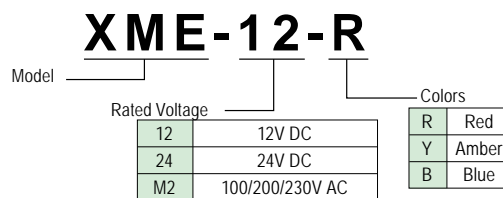
The XME Series features a 182mm diameter, a triple-flash rate pattern, and multiple voltage options.

- Triple-flash pattern with 110 flash rate per minute
- Durable structure with stainless steel lens mounts and bolts
- Built-in dimmer function
- Available colors: Red, Amber, Blue

Specifications

Model	Rated Voltage	Power Consumption	Flashing Rate	Mass
XME-12	12V DC	5.0W	110±10 /minute (Triple flash)	1.8kg
XME-24	24V DC	4.5W		
XME-M2	100/200/230V AC	5.7W		

Model Code

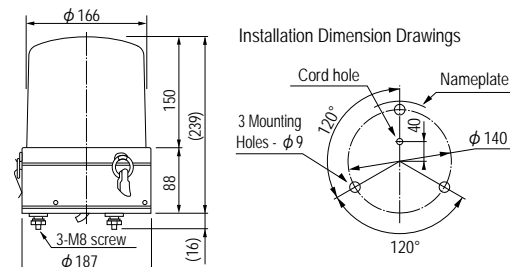


Optional Parts

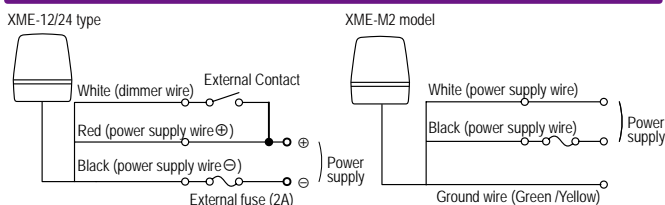
For details, see pages 182 to 187.

Optional Parts	Model
Wallmount Bracket	SZ-008

Dimensions (mm)



Wiring Diagram



KPE-A

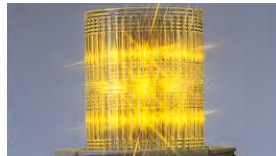


Colors	Red, Amber
Globe	The material is AS resin, which is translucent and highly weather resistant.

The KPE Series features a 162mm diameter, ultra-bright LEDs, and a unique LED simulated rotation light pattern option.

- Ultra-bright LEDs; 4-times brighter than our standard models, i.e. KPE, KME
- Adjustable rotating light option without a motor for longer product life
- Available Colors: Red, Amber, Green, Blue

IP23 162φ



LED chase light

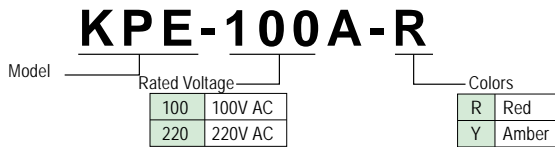
LED are laid out evenly over 8 sides and light up in turn in a circular direction as a result of the electronic circuits, and they light as though they are flowing. Moreover, the light is further dispersed through the globe. You can change the chase light rotation speed with the volume in the main body.

Specifications

Model	Rated Voltage	Power consumption (chase light / when flashing)	Chasing Rotation Rate/Flashing Rate	Vibration Resistance	Mass
KPE-100A	100V AC	8.5W/13W	50 - 200/minute (chase light)	44.1m/s2 JIS D 1601-1990	1.5kg
KPE-220A	220V AC	9.5W/14W	60/minute (when flashing)	Stage 4, Type 3, Class B compliant	

Operating Temperature Range: -30 °C to +60 °C, Mounting Direction: Indoors - Forward, Side, Reverse directions; Outdoors - Forward.

Model Code

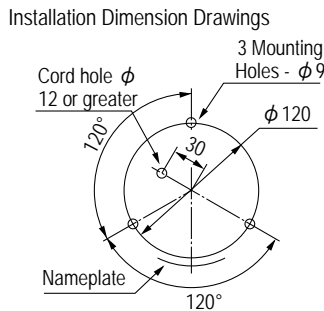
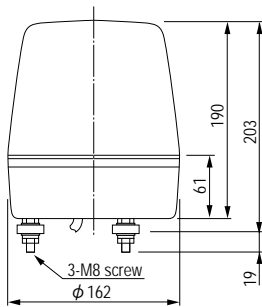


Optional Parts

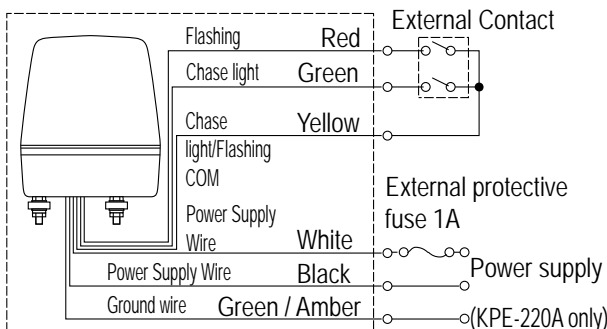
For details, see pages 182 to 187.

Optional Parts	Model
Wallmount Bracket	SZ-023
Wallmount Bracket	SZ-008

Dimensions (mm)



Wiring Diagram



5V DC when signal wire is open
5mA when short-circuit

Nominal Cross-sectional Area : Wire Type:
Wire Length

Signal Wire: AWG22: UL1007: 270mm
KPE-100A power supply wire 0.75mm² : VCTFK : 330mm
KPE-220A power supply wire 0.75mm² : VCTF : 330mm

*Connecting multiple units in parallel may cause a malfunction. Control using individual contacts.

Network

Signal Tower

Signal Light

Revolving Warning Light

Cube Tower

Audibles

Hybrid Signaling Devices

LED Illumination

Options

KLE

KLE model

KLE-S model (Stainless steel)



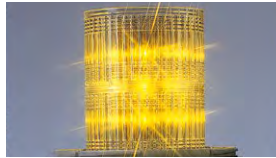
Colors Red, Amber

Globe The material is AS resin, which is translucent and highly weather resistant.

The KLE Series features a 162mm diameter, ultra-bright LEDs, and a unique LED simulated rotation light pattern option.

- 32 high-intensity LEDs with efficient light distribution
- Adjustable rotating light option without a motor for longer product life
- Durable structure design
- Available Colors: Red, Amber, Green, Blue

IP23 162φ



LED Chase Light

LED are laid out evenly over 8 sides and light up in turn in a circular direction as a result of the electronic circuits, and they light as though they are flowing. Moreover, the light is further dispersed through the globe. You can change the chase light rotation speed with the volume in the main body.

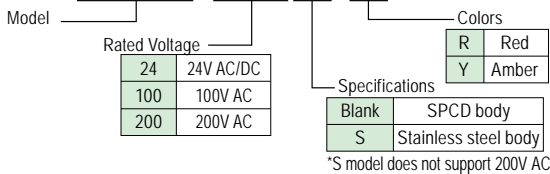
Specifications

Model	Rated Voltage	Power Consumption	Number of flashes	Vibration Resistance	Mass
KLE-24 KLE-24S	24V AC/DC	5.8W	50 to 200/minute	45m/s2 JIS D 1601-1995 Stage 4, Type 3, Class B compliant	1.2kg
KLE-100 KLE-100S	100V AC	10.9W			1.5kg
KLE-200	200V AC	10.7W			

Operating Temperature Range: -30 °C to +60 °C, Mounting Direction: Indoors - Forward, Side, Reverse directions; Outdoors - Forward.

Model Code

KLE-24S-R

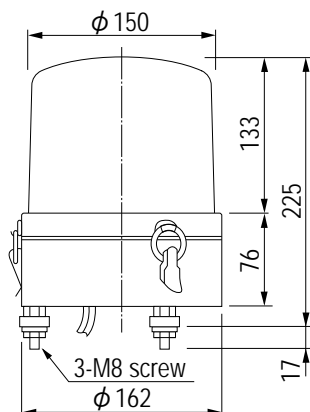


Optional Parts

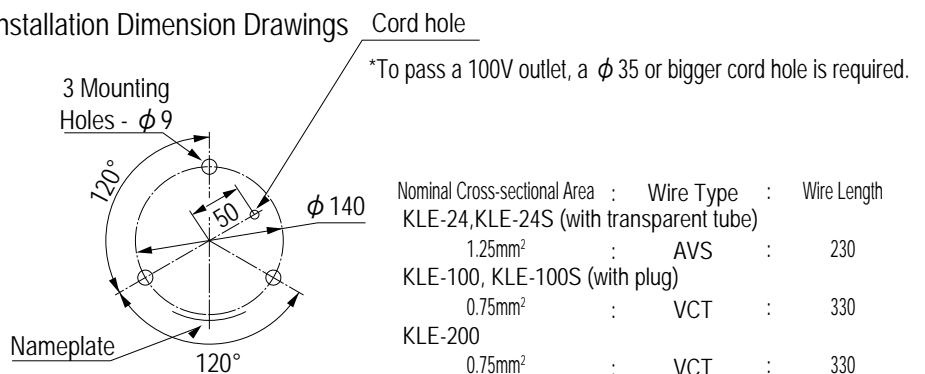
For details, see pages 182 to 187.

Optional Parts	Model
Wallmount Bracket	SZ-023
Wallmount Bracket	SZ-008

Dimensions (mm)



Installation Dimension Drawings



PS-12 Scheduled to end production

PS model (Lighting)



When mount rubber (sold separately) is used



Colors	Red, Amber, Green, Blue
Globe	Polycarbonate resin with superb shock resistance and heat resistance

The PS Series features an 82mm diameter with incandescent bulbs as the light source as a low upfront cost option.

- IP55 with rubber mount (SZ-210); IP23 without rubber mount
- Available colors: Red, Amber, Green, Blue



IP23 **82φ**
(IP55 when mount rubber is used - sold separately)

Specifications

Model	Rated Voltage	Power Consumption	Bulb		Mass
				Number	
PS-12	12V AC/DC	10W	12V 10W	9	0.3kg
PS-24	24V AC/DC		24V 10W	10	

Bulb Shape 12V/24V Glass Bulb G18, Base BA15S

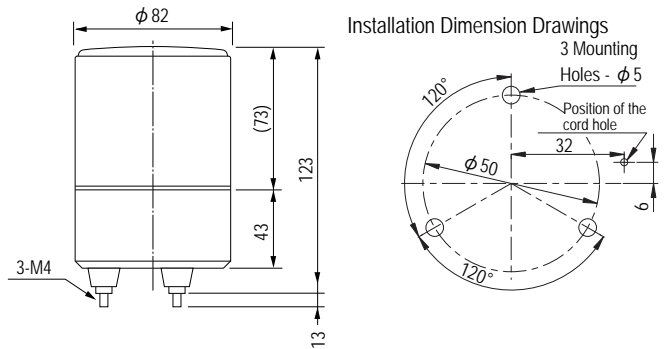
Optional Parts

For details, see pages 182 to 187.

Optional Parts	Model
Mount rubber	SZ-210
Wallmount Bracket	SZ-007

*When using a wallmount bracket, even with the mount rubber the IP value is 23.

Dimensions (mm)



Nominal Cross-sectional Area : Wire Type : Wire Length
 0.75mm²: VCTFK: From the cord outlet (340)
 From the code hook (300)

Network

Signal Tower

Signal Light

Revolving Warning Light

Cube Tower

Audibles

Hybrid Signaling Devices

LED Illumination

Options