












Revolving Warning Light

Page number	Page 115				Page 116					Page 118				Page 119			
Model Name	Compact LED Revolving Warning Light				Small LED Revolving Warning Light									Extreme Vibration Resistant Large LED Revolving Warning Light			
Model	RLE				RHE					SKHE				RLR			
Product image																	
Rated Voltage	12V DC	24V DC	100V AC	220V AC	12V DC	24V DC	48V DC	100V AC	200V AC	12V DC	24V DC	100V AC	200V AC	12/24V DC	48V DC	100 - 240V AC	
Size (mm)	φ 82				φ 100					φ 118				φ 162			
IP	23 (55 when mount rubber –sold separately– is used)				23 (55 when mount rubber –sold separately– is used)					23				66			
Buzzer sound pressure in dB (at a distance of 1m)	used)				Typ.88					Typ.88							
Body	ABS				ABS					ABS (bracket part)				ABS			
Globe	Polycarbonate				Polycarbonate					AS				Polycarbonate			
Light Source	LED				LED					LED				LED			
Terminal Block	LED				O												
Open collector																	
CE Marking					O	O	O				O	O			O	O	O
RoHS					O	O	O	O	O		O	O	O	O	O	O	
UL Standard					O (UL model)		O (UL model)										
Other																	
Explosion protection																	

Page number	Page 123			Page 124				Page 125					Page 126		
Model Name	Wall-Mounted Small Revolving Warning Light			Small Revolving Warning Light				Medium Revolving Warning Light							
Model	WH-A			SKH-EA				SKP-A					KP-A		
Product image															
Rated Voltage	24V DC	100V AC	200V AC	12V DC	24V DC	100V AC	200V AC	12V DC	24V DC	48V DC	100V AC	200V AC	24V DC	100V AC	200V AC
Size (mm)	φ 100			φ 100				φ 138					φ 162		
IP	54 (23 with buzzer)			23				23					23		
Buzzer sound pressure in dB (at a distance of 1m)	90														
Body	ABS			Steel Plate (coated)				Steel Plate (coated)					AES		
Globe	Polycarbonate			AS				Polycarbonate					AS		
Light Source	Bulb			Bulb				Bulb					Bulb		
Terminal Block															
Open collector															
CE Marking	O			O	O			O	O				O		
RoHS															
UL Standard															
Other	Switch box compatible														
Explosion protection															

Page number	Page 127				Page 128		Page 129		
Model Name	Large Revolving Warning Light				Large Revolving Warning Light		Large Revolving Warning Light		
Model	SKC-A				HP		KG		
Product image									
Rated Voltage	12V DC	24V DC	100V AC	200V AC	12V DC	24V AC	12V DC	24V DC	100V AC
Size (mm)	φ 187				φ 180		φ 186		
IP	23						23		
Buzzer sound pressure in dB (at a distance of 1m)									
Body	Steel Plate (coated)				ABS		ABS		
Globe	AS				AS		Yellow: polystyrene Red: AS		
Light Source	Bulb				Halogen		Bulb		
Terminal Block									
Open collector									
CE Marking	O	O							
RoHS									
UL Standard							Two-sided mirror		
Other	Two-sided mirror								
Explosion protection									

Page number	Page 120					Page 121						Page 122				
Model Name	Compact Revolving Warning Light					Small Revolving Warning Light										
Model	RU/RS					RH-A						SKH-A				
Product image																
Rated Voltage	12V DC	24V DC	100V AC	220V AC	24V AC	12V DC	24V DC	100V AC	120V AC	200V AC	240V AC	12V DC	24V DC	100V AC	200V AC	24V AC
Size (mm)	φ 82					φ 100						φ 118				
IP	23 (55 when mount rubber –sold separately– is used)					23 (55 when mount rubber –sold separately– is used)						23 (IP54 for watercraft)				
Buzzer sound pressure in dB (at a distance of 1m)						Typ.90						Typ.90				
Body	ABS					ABS						ABS (bracket part)				
Globe	Polycarbonate					Polycarbonate						AS				
Light Source	Bulb					Bulb						Bulb				
Terminal Block						O										
Open collector																
CE Marking	O	O			O	O	O					O	O			O
RoHS																
UL Standard						O (UL model)										
Other																
Explosion protection																

Page number	Page 126						
Model Name	Large Revolving Warning Light						
Model	SKL-A						
Product image							
Rated Voltage	12V DC	24V DC	48V DC	100V AC	200V AC	240V AC	
Size (mm)	φ 162						
IP	23						
Buzzer sound pressure in dB (at a distance of 1m)							
Body	Steel plate (coating)/stainless steel (SUS 304)						
Globe	Polycarbonate						
Light Source	Bulb						
Terminal Block							
Open collector							
CE Marking	O	O					
RoHS							
UL Standard							
Other							
Explosion protection							

* For specifications, see the product page.

RLE



IP23 82φ

(IP55 when mount rubber: sold separately)

Colors	Red, amber, green (colors cannot be changed by replacing the globe)
Globe	Polycarbonate resin with superb shock resistance and heat resistance
Body	ABS resin

The RLE Series features an 82mm diameter, ultra-bright, maintenance-free LEDs, and comes in multiple voltage types.

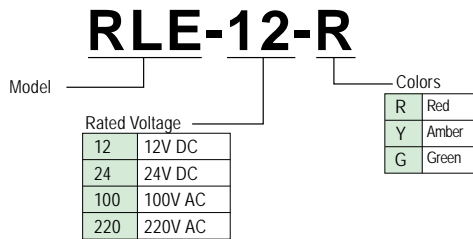
- Unique rotation reflection system for efficient warning signals
- IP55 with rubber mount (SZ-210); IP23 without rubber mount
- Available colors: Red, Amber, Green



Specifications

Model	Rated Voltage	Power Consumption	Number of flashes	Mass
RLE-12	12V DC	Max. 2.5W	120/minute	0.4kg
RLE-24	24V DC	Max. 3.0W		
RLE-100	100V AC	2.6W		
RLE-220	220V AC	2.6W		0.6kg

Model Code



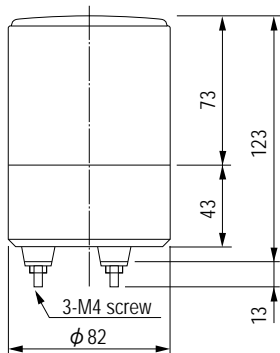
Optional Parts

For details, see pages 182 to 187.

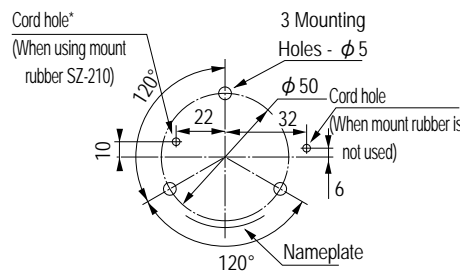
Optional Parts	Model
Mount rubber	SZ-210
Wallmount Bracket	SZ-007

*When using a wallmount bracket, IP value is 23 even with a mount rubber.

Dimensions (mm)



Installation Dimension Drawings



Nominal Cross-sectional Area : Wire Type : Wire Length

- RLE-12,24
0.5mm² : AV : 200
- RLE-100 (with plug)
0.75mm² : VCTFK : 300
- RLE-220
0.75mm² : VCTF : 340

*To pass a 100V outlet, a φ 30 cord hole is required.

RHE

RHE model
RHEB model
(with audible)



Colors Red, amber, green, blue (You cannot change colors by replacing the globe)

Globe Polycarbonate resin with superb shock resistance and heat resistance

The RHE Series features an 82mm diameter, ultra-bright, energy-efficient LED system, and comes with a built-in 90dB audible alarm.

- 1 LED chip light source for high energy-efficiency without sacrificing visibility
- Built-in 90dB audible alarm
- IP55 with rubber mount (SZ-220A); IP23 without rubber mount
- Built-in terminal block for easy wiring
- Available colors: Red, Amber, Green, Blue



Sound pressure 88dB
IP23
RoHS
UL
CE
100φ

(IP55 when mount rubber is used—sold separately)
 (RHE-UL only)
 (12V, 24V, 48V only)

Specifications

RHE specifications

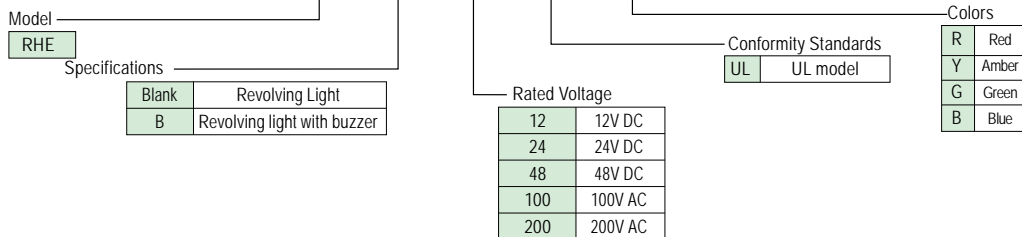
Model		Rated Voltage	Current Consumption () with buzzer	Inrush Current	Number of flashes	Mass	Colors
RHE	RHEB						
RHE-12	RHEB-12	12V DC	0.25A (0.28A)	1.5A/100msec	120/minute	0.4kg	R: Red or Y: Amber
RHE-24	RHEB-24	24V DC	0.16A (0.19A)	5.0A/4msec			G: Green or B: Blue
RHE-48	—	48V DC	0.08A	—			R: Red or Y: Amber
RHE-100	RHEB-100	100V AC	0.042A (0.045A)	1.0A/20msec	120/minute	0.6kg	G: Green or B: Blue
RHE-200	RHEB-200	200V AC	0.022A (0.025A)	0.5A/20msec			R: Red or Y: Amber
							G: Green or B: Blue

RHE-UL model (UL model)

Model		Rated Voltage	Current Consumption () with buzzer	Inrush Current	Number of flashes	Mass	Colors
RHE	RHEB						
RHE-12UL	RHEB-12UL	12V DC	0.25A (0.28A)	1.5A/100msec	120/minute	0.4kg	R: Red or Y: Amber
RHE-24UL	RHEB-24UL	24V DC	0.16A (0.19A)	5.0A/4msec			G: Green or B: Blue

Model Code

RHEB-24UL-R



Network
Signal Tower
Signal Light
Revolving Warning Light
Cube Tower
Audibles
Hybrid Signaling Devices
LED Illumination
Options

Optional Parts

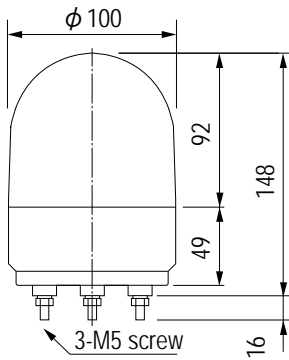
For details, see pages 182 to 187.

Optional Parts	Model
Mount rubber	SZ-200
Wallmount Bracket	SZ-007

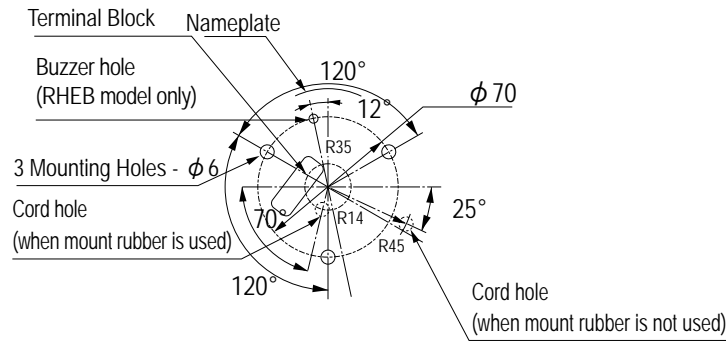
*When using a wallmount bracket, IP value is 23 even with a mount rubber.

Dimensions (mm)

RHE

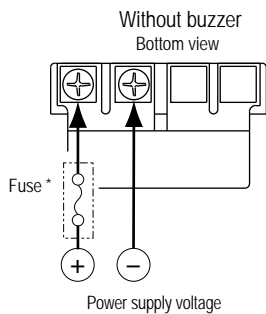


Installation Dimension Drawings



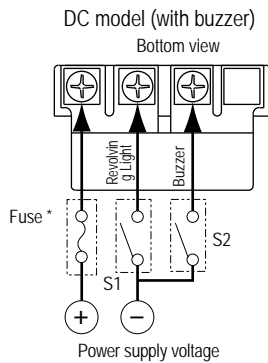
*The applicable crimp terminal has a thread hole diameter of 3 mm. The outer diameter can be up to 8 mm.

Wiring Diagram

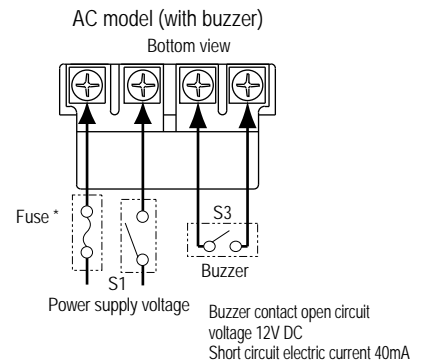


For AC type, there is no + / - polarity.

* For the fuse, please use a 3A fuse.
(RHE (B)-100/200, UL model is 1A)



Contact S1	Contact S2	Description
ON	OFF	Revolving Light
OFF	ON	Buzzer
ON	ON	Revolving light & buzzer



Contact S3	Description
OFF	Revolving Light
ON	Revolving light & buzzer

* Terminal block system wiring is not included. (UL1007 0.5mm² wiring for RHE-12,24,48; UL1430 0.5mm² wiring for RHE-12UL,24UL have been set for 240±30mm)

Small LED Revolving Warning Light

SKHE

SKHE model
SKHEB model (with audible)



Colors Red, amber, green, blue (You cannot change colors by replacing the globe)

Globe The material is AS resin, which is translucent and highly weather resistant.

The SKHE Series features an 118mm diameter, ultra-bright, high energy-efficient LED system, and comes with a built-in 90dB audible alarm.

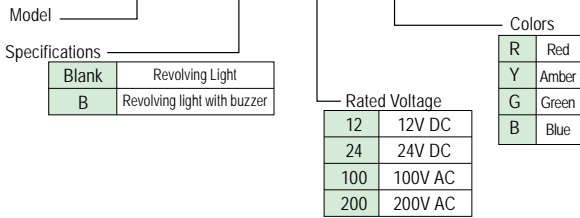
- 1 LED chip light source for high energy-efficiency without sacrificing visibility
- Built-in 90dB audible alarm
- Built-in terminal block for easy wiring
- Available colors: Red, Amber, Green, Blue

Specifications

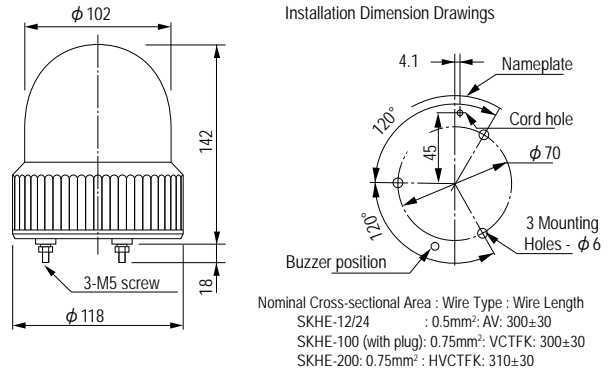
Model		Rated Voltage	Current Consumption	Number of flashes	Mass	Colors
SKHE	SKHEB					
SKHE-12	SKHEB-12	12V DC	0.22A	120/minute	0.4kg	R: Red or Y: Amber
SKHE-24	SKHEB-24	24V DC	0.16A			G: Green or B: Blue
SKHE-100	SKHEB-100	100V AC	0.042A			R: Red or Y: Amber
SKHE-200	SKHEB-200	200V AC	0.022A			G: Green or B: Blue

Model Code

SKHEB-24-R



Dimensions (mm)

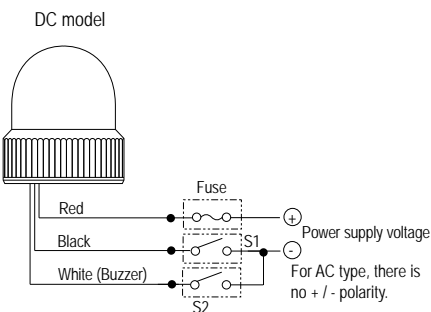


Optional Parts

For details, see pages 182 to 187.

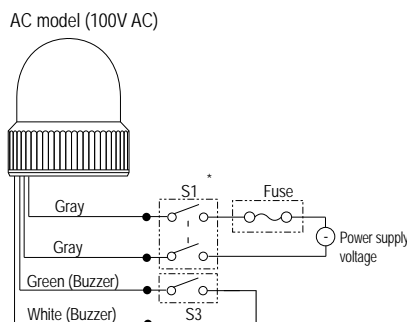
Optional Parts	Model
Wallmount Bracket	SZ-007

Wiring Diagram



Contact S1	Contact S2	Description
ON	OFF	Revolving Light
OFF	ON	Buzzer
ON	ON	Revolving light & buzzer

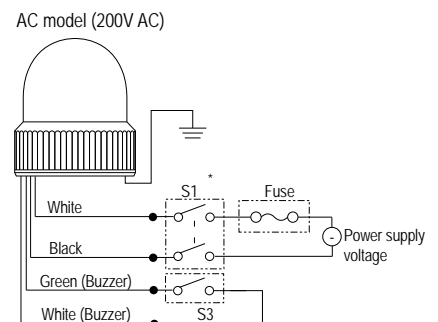
*Wiring diagram is for model B. There is no white wire for units without a buzzer.



Contact S3	Description
OFF	Revolving Light
ON	Revolving light & buzzer

*Wiring diagram is for model B. There are no white and green wires for units without a buzzer. Buzzer contact open circuit voltage 12V DC Short circuit current 40mA

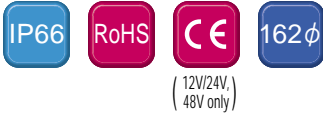
*In addition to a two-way switch, you can also use a one-way switch.



Contact S3	Description
OFF	Revolving Light
ON	Revolving light & buzzer

*Wiring diagram is for model B. There are no white and green wires for units without a buzzer. Buzzer contact open circuit voltage 12V DC Short circuit current 40mA

RLR



Colors	Red, Amber, Green, Blue
Globe	Polycarbonate resin with superb shock resistance and heat resistance

The RLR Series features an 162mm diameter, ultra-bright, maintenance-free LEDs, with high vibration resistance, ideal for moving vehicles.

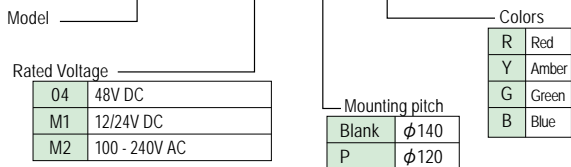
- Gear-method system for controlling light source and motor significantly increases product life
- IP66 protection rating for dust and water
- Vibration resistance for up to 11.2G
- Available colors: Red, Amber, Green, Blue

Specifications

Model	Rated Voltage	Rated Power Consumption	Number of flashes	Mass	Colors
RLR-M1 RLR-M1-P	12/24V DC	7.6W	105/minute	1.0kg	R: Red or Y: Amber
RLR-04 RLR-04-P	48V DC	8.2W			G: Green or B: Blue
RLR-M2	100 - 240V AC	7.8W		1.06kg	R: Red or Y: Amber
RLR-M2-P	100 - 240V AC	7.8W			G: Green or B: Blue

Model Code

RLR-04-P-R

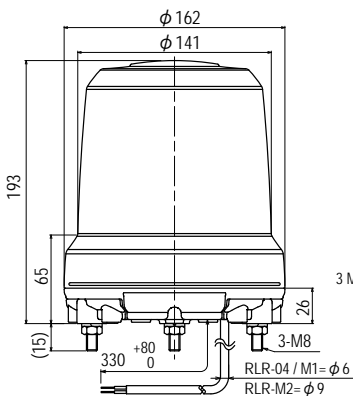


Optional Parts

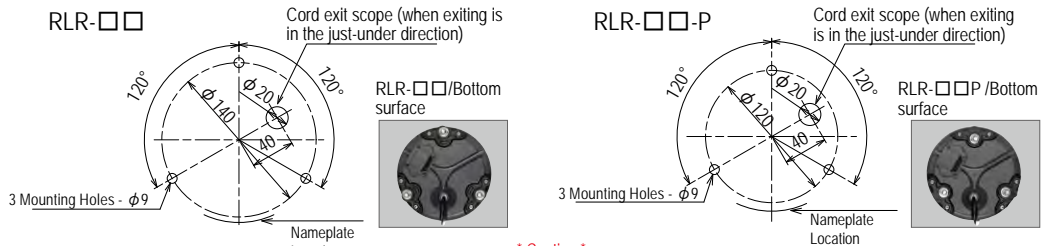
For details, see pages 182 to 187.

Optional Parts	Model
Wallmount Bracket	SZ-023
Wallmount Bracket	SZ-008

Dimensions (mm)



Installation Dimension Drawings



*** Caution ***
When it needs to be water resistant, please be sure to apply water-resistance at the time of wiring.
There is possibility of water penetration from the power source terminal surface.

Nominal cross sectional area : Wire type
RLR-04/M1 : 0.5mm² : HVCTF
RLR-M2 : 0.75mm² : VCT

RU/RS

RU/RS model
RUP model
(with a pole, for indoors)



Colors	Red, Amber, Green, Blue
Globe	Polycarbonate resin with superb shock resistance and heat resistance
Body	ABS resin

The RU/RS Series features an 82mm diameter and automobile incandescent bulbs as a light source for high vibration resistance, ideal for moving vehicles.

- Automobile incandescent bulbs for high vibration resistance
- Comes in a rounded dome (RU models) and circular dome shapes (RS models)
- IP55 with rubber mount (SZ-210); IP23 without rubber mount
- Available colors: Red, Amber, Green, Blue



(IP55 when mount rubber s used-sold separately) (12V, 24V only)

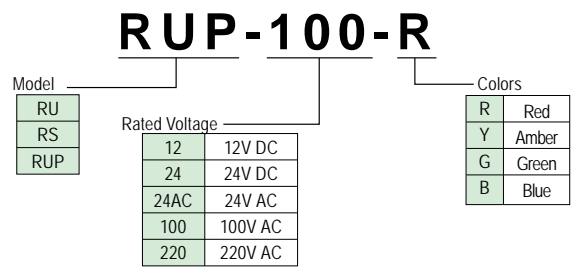
Specifications

Model			Rated Voltage	Current Consumption	Number of flashes	Bulb	Mass		
RU	RUP	RS					RU/RS	RUP	
RU-12	RUP-12	RS-12	12V DC	0.5A	120/minute	12V 6W	18	0.4kg	0.8kg
RU-24	RUP-24	RS-24	24V DC	0.3A		24V 6W	19		
RU-100	RUP-100	RS-100	100V AC	0.075A		12V 6W	18	0.6kg	1.0kg
RU-220	RUP-220	RS-220	220V AC	0.035A		24V 6W	19	0.4kg	0.8kg
RU-24AC	RUP-24AC	—	24V AC	0.3A					

Light bulb No.	Model
18	D01200604-F1
19	D02400604-F1

Bulb Shape: Glass Bulb G14, Base BA9S
 *Light bulbs come in packs of 10.
 *Stock for some light bulbs may be limited, as products become discontinued. We ask for your understanding in this regard.

Model Code



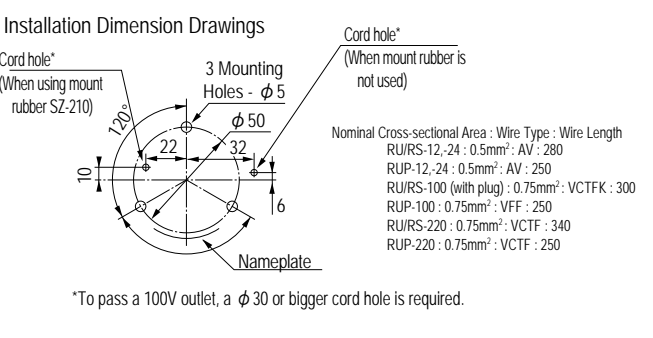
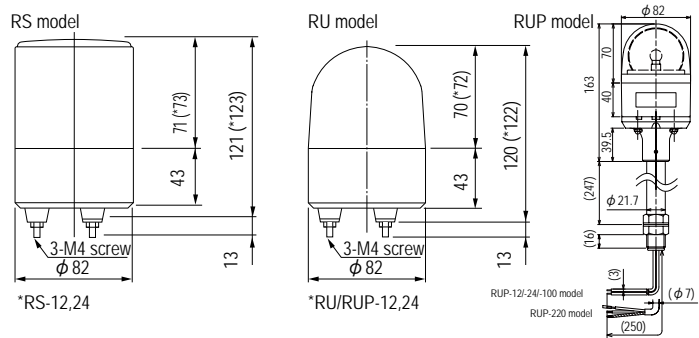
Optional Parts

For details, see pages 182 to 187.

Optional Parts	Model
Mount rubber	SZ-210
Wallmount Bracket	SZ-007

*Mount rubber cannot be used for RUP-models
 *When using a wallmount bracket, IP value is 23 even with a mount rubber.

Dimensions (mm)



Network
Signal Tower
Signal Light
Revolving Warning Light
Cube Tower
Audibles
Hybrid Signaling Devices
LED Illumination
Options

RH-A

RH-A model
RHB-A model
(With electronic buzzer)
RH-AUL model
RHB-AUL model
(With electronic buzzer)



RH-A model When mount rubber is used (sold separately)



Colors	Red, Amber, Green, Blue
Globe	Polycarbonate resin with superb shock resistance and heat resistance
Body	ABS resin

The RH Series features an 100mm diameter, built-in 90dB audible alarm, and automobile incandescent bulbs as a light source for high vibration resistance, ideal for moving vehicles.

- Automobile incandescent bulbs for high vibration resistance
- Built-in 90dB audible alarm
- Built-in terminal block for easy wiring
- IP55 with rubber mount (SZ-220A); IP23 without rubber mount
- Available colors: Red, Amber, Blue



Specifications

Model		Rated Voltage	Current Consumption		Number of flashes	Bulb	Number	Mass
RH	RHB		RH	RHB				
RH-12A	RHB-12A	12V DC	0.8A	0.85A	170/minute	12V 10W	9	0.4kg
RH-24A	RHB-24A	24V DC	0.5A	0.55A		24V 10W	10	
RH-24AUL	RHB-24AUL							
RH-100A	RHB-100A	100V AC	0.065A	0.115A	170/minute	12V 5W	12	0.6kg
RH-120AUL	RHB-120AUL	120V AC	0.065A	0.115A				
RH-200A	RHB-200A	200V AC	0.03A	0.08A				
RH-240AUL	RHB-240AUL	240V AC	0.03A	0.08A				

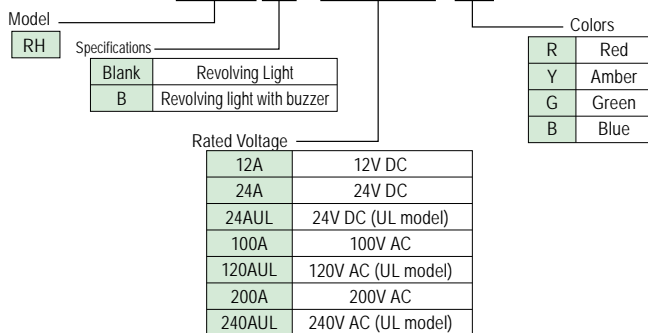
Bulb Shape Glass Bulb G18, Base BA15S

Light bulb No.	Model
9	D01201003A-F1
10	D02401003A-F1
12	D01200503A-F1

*Light bulbs come in packs of 10.
*Stock for some light bulbs may be limited, as products become discontinued. We ask for your understanding in this regard.

Model Code

RHB-24A-R



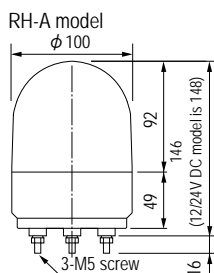
Optional Parts

For details, see pages 182 to 187.

Optional Parts	Model
Mount rubber	SZ-200
Wallmount Bracket	SZ-007

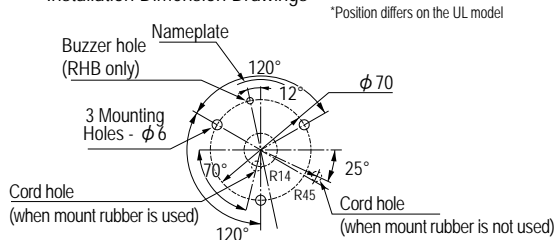
*When mount rubber is used, the buzzer sound becomes degraded, and sound pressure will deteriorate.
*When using a wallmount bracket, IP value is 23 even with a mount rubber.

Dimensions (mm)



12V, 24V specification includes a wire. (UL1430 AWG20 cord outlet is 240±30mm)

Installation Dimension Drawings



*The applicable crimp terminal has a thread hole diameter of 3 mm External shape may be used up to φ 8mm.

Small Revolving Warning Light

SKH-A

SKH-A model
SKHB-A model (with electronic buzzer)



(For watercraft, IP54) (12V, 24V only)
*SKH-102AAC excluding SKHB-24AAC

Colors Red, Amber, Green, Blue, Purple

Globe The material is AS resin, which is translucent and highly weather resistant.

The SKH Series features an 118mm diameter, built-in 90dB audible alarm, and automobile incandescent bulbs as a light source for high vibration resistance, ideal for moving vehicles.

- Automobile incandescent bulbs for high vibration resistance
- Built-in 90dB audible alarm
- Available colors: Red, Amber, Green, Blue

Specifications

Model		Rated Voltage	Power current		Number of flashes	Bulb		Mass
SKH model	SKHB model		SKH model	SKHB model		Number		
SKH-101A	SKHB-12A	12V DC	0.8A	0.85A	170/minute	12V 10W	9	0.4kg
SKH-102A	SKHB-24A	24V DC	0.5A	0.55A		24V 10W	10	
SKH-110A	SKHB-100A	100V AC	0.065A	0.115A		12V 5W	12	0.6kg
SKH-120A	SKHB-200A	200V AC	0.030A	0.080A		24V 10W	10	0.4kg
SKH-102AAC	SKHB-24AAC	24V AC	0.5A	0.55A	170/minute	24V 10W	10	0.4kg
Boats only SKH-102SA	—	24V DC	0.5A	—		24V 10W	10	0.4kg
SKH-110SA	—	100V AC	0.065A	—		12V 5W	12	0.6kg

Bulb Shape Glass Bulb G18, Base BA15S

Light bulb No.	Model
9	D01201003A-F1
10	D02401003A-F1
12	D01200503A-F1

* Light bulbs come in packs of 10.
* Stock for some light bulbs may be limited, as products become discontinued. We ask for your understanding in this regard.

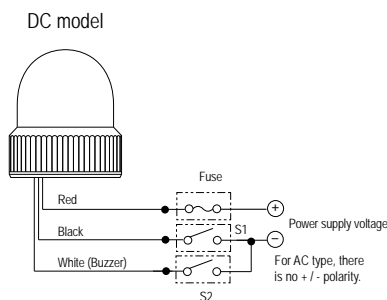
Model Code

SKHB-100A-R

Model: SKH
Specifications: Blank (Revolving Light), B (Revolving light with buzzer)
Rated Voltage: 12V DC, 24V DC, 24V AC, 100V AC, 200V AC
Colors: R (Red), Y (Amber), G (Green), B (Blue), P (Purple)

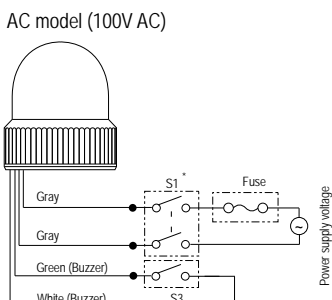
Rated Voltage	SKH	SKHB	SKH (exclusively for watercraft)
12V DC	101A	12A	—
24V DC	102A	24A	102SA
24V AC	102AAC	24AAC	—
100V AC	110A	100A	110SA
200V AC	120A	200A	—

Wiring Diagram



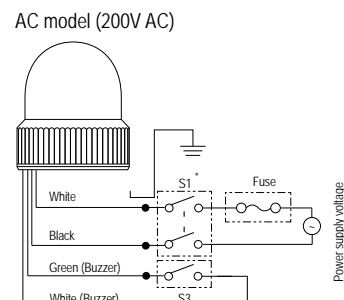
Contact S1	Contact S2	Description
ON	OFF	Revolving Light
OFF	ON	Buzzer
ON	ON	Revolving light & buzzer

*Wiring diagram is for model B.
There is no white wire for units without a buzzer.



Contact S3	Description
OFF	Revolving Light
ON	Revolving light & buzzer

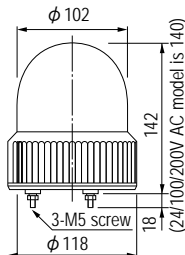
* Wiring diagram is for model B.
There are no white and green wires for units without a buzzer.
Buzzer contact open circuit voltage 12V DC Short circuit current 40mA



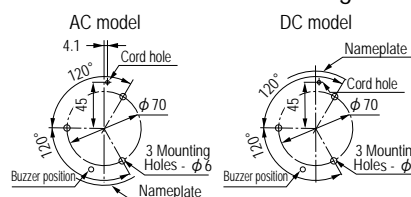
Contact S3	Description
OFF	Revolving Light
ON	Revolving light & buzzer

* Wiring diagram is for model B.
There are no white and green wires for units without a buzzer.
Buzzer contact open circuit voltage 12V DC Short circuit current 40mA

Dimensions (mm)



Installation Dimension Drawings



Nominal Cross-sectional Area : Wire Type:
Lead Line Length
SKH-101A, 102A, 102AAC
0.5mm² : AV : 300
SKHB-12A, 24A, 24AAC
0.5mm² : AV : 300
SKH-110A (with plug), 120A
0.75mm² : VCTFK : 310
SKHB-100A (with plug), 200A
0.75mm² : VCTKF : 310
(Signal Wire : 0.5mm² : AV : 300)

*Please be careful, as the position of the name plate against the installation surface changes according to how the globe is fastened.
*To pass a 100V outlet, a ϕ 30 cord hole is required.

*Please send inquiries for the size of watercraft specifications (SKH-SA type).

Optional Parts

For details, see pages 182 to 187.

Optional Parts	Model
Wallmount Bracket	SZ-007

*In addition to a two-way switch, you can also use a one-way switch.

WH-A

WH-A model
WHB-A model
Round Globe



Colors Red, Amber, Green, Blue

Globe Polycarbonate resin with superb shock resistance and heat resistance

Body ABS resin

The WH Series features an 100mm diameter, side wall-mount design, built-in 90dB audible alarm, and automobile incandescent bulbs as a light source for high vibration resistance.

- Automobile incandescent bulbs for high vibration resistance
- Built-in 90dB audible alarm
- Built-in terminal block for easy wiring
- IP54 rating for dust and water resistance
- Available colors: Amber, Blue



(Product with a buzzer is IP23) (24V only)

Specifications

WH-A model

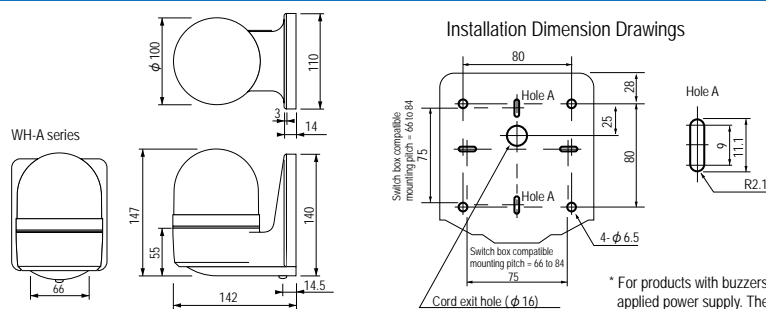
	Model	Rated Voltage	Current Consumption	Number of flashes	Bulb		Mass
	WH-A				Number		
Without buzzer	WH-24A	24V DC	0.5A	170/minute	24V 10W	10	0.55kg
	WH-100A	100V AC	0.065A		12V 5W	12	0.75kg
	WH-200A	200V AC	0.03A		24V 10W	10	0.55kg
With buzzer	WHB-24A	24V DC	0.55A		24V 10W	10	0.55kg
	WHB-100A	100V AC	0.115A		12V 5W	12	0.75kg
	WHB-200A	200V AC	0.08A				

Bulb Shape Glass Bulb G18, Base BA15S

Light bulb No.	Model
10	D02401003A-F1
12	D01200503A-F1

*Light bulbs come in packs of 10.
*Stock for some light bulbs may be limited, as products become discontinued. We ask for your understanding in this regard.

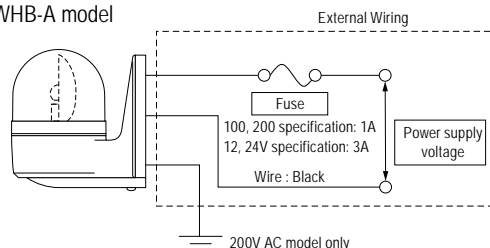
Dimensions (mm)



* For products with buzzers, the revolving light and buzzer work simultaneously with the applied power supply. They cannot be controlled separately.

Wiring Diagram

WH-A model
WHB-A model



200V AC model only

SKH-EA



- Colors** Red, Amber, Green, Blue
- Globe** The material is AS resin, which is translucent and highly weather resistant.

The SKH Series features an 100mm diameter, durable body design, and automobile incandescent bulbs as a light source for high vibration resistance, ideal for moving vehicles.

- Automobile incandescent bulbs for high vibration resistance
- Durable, weather-resistant metal and acrylic body structure
- Comes in multiple voltage types
- Available colors: Red, Amber, Green, Blue

Specifications

Model	Rated Voltage	Current Consumption	Number of flashes	Bulb		Mass
					Number	
SKH-12EA	12V DC	0.8A	170/minute	12V 10W	9	0.4kg
SKH-24EA	24V DC	0.5A		24V 10W	10	
SKH-100EA	100V AC	0.065A		12V 5W	12	0.6kg
SKH-200EA	200V AC	0.03A				

Bulb Shape Glass Bulb G18, Base BA15S

Light bulb No.	Model
9	D01201003A-F1
10	D02401003A-F1
12	D01200503A-F1

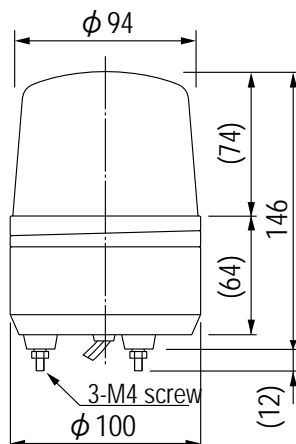
* Light bulbs come in packs of 10.
 * Stock for some light bulbs may be limited, as products become discontinued. We ask for your understanding in this regard.

Optional Parts

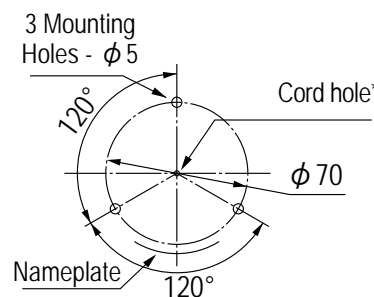
For details, see pages 182 to 187.

Optional Parts	Model
Wallmount Bracket	SZ-007

Dimensions (mm)



Installation Dimension Drawings



Nominal Cross-sectional Area : Wire Type: Lead Line Length

- SKH-12EA,24EA 0.5mm² : AV : 300
- SKH-100EA (with plug), 200EA 0.75mm² : VCTFK : 330

*To pass a 100V outlet, a $\phi 30$ cord hole is required.

Network

Signal Tower

Signal Light

Revolving Warning Light

Cube Tower

Audibles

Hybrid Signaling Devices

LED Illumination

Options

SKP-A

Colors Red, Amber, Green, Blue

Globe Melanine with superb shock resistance and heat resistance



The SKP Series features an 138mm diameter and automobile incandescent bulbs as a light source for high vibration resistance, ideal for moving vehicles.

- Automobile incandescent bulbs for high vibration resistance
- Silent and stable light rotation system
- Weather resistant and corrosion proof body design
- Available colors: Red, Amber, Green, Blue



Specifications

Model	Rated Voltage	Current Consumption	Number of flashes	Bulb		Mass
					Number	
SKP-101A	12V DC	2.6A	140/minute	12V 35W	1	0.8kg
SKP-102A	24V DC	1.2A		24V 35W	2	
SKP-104A	48V DC	0.8A		48V 35W	5	0.9kg
SKP-110A	100V AC	0.3A		120V 40W	36	
SKP-120A	200V AC	0.13A	120/minute	220V 30W	37	1.0kg

Light bulb shape... 12V/24V / Glass ball RP35 base BA15S 48V/100V/200V / Glass ball RP35 base BA15D

Light bulb No.	Model	Light bulb No.	Model
1	D01203501-F1	36	D12004024-F1
2	D02403501-F1	37	D22003024-F1
5	D04803502-F1		

*Light bulbs come in packs of 10.

*Stock for some light bulbs may be limited, as products become discontinued. We ask for your understanding in this regard.

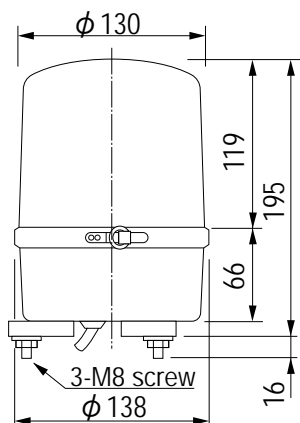
Optional Parts

For details, see pages 182 to 187.

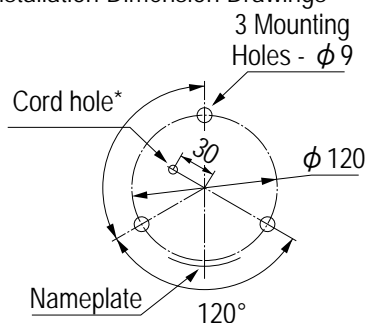
Optional Parts	Model
Rubber cover that is compliant with external projection	SKP-001
Wallmount Bracket	SZ-023
Wallmount Bracket	SZ-008

*Only SKP-101A will be compliant with external projection regulation using the SKP-001 model.

Dimensions (mm)



Installation Dimension Drawings



Nominal Cross-sectional Area : Wire Type: Lead Line Length

- SKP-101A,102A,104A
1.25mm² : AVS : 270
- SKP-110A (with plug)
0.75mm² : VCT : 330
- SKP-120A
0.75mm² : VCT : 330

*To pass a 100V outlet, a φ 35 or bigger cord hole is required.

KP-A



Colors	Red, Amber, Green, Blue
Globe	The material is AS resin, which is translucent and highly weather resistant.

The KP Series features an 162mm diameter, splash resistant body design, and automobile incandescent bulbs as a light source for high vibration resistance, ideal for moving vehicles.

- Automobile incandescent bulbs for high vibration resistance
- Weather resistant and corrosion proof body design
- Able to operate in temperatures as low as -30
- Available colors: Red, Amber, Green, Blue

Specifications

Model	Rated Voltage	Current Consumption	Number of flashes	Bulb		Mass
					Number	
KP-24A	24V DC	1.2A	140/minute	24V 35W	2	1.0kg
KP-100A	100V AC	0.3A		120V 40W	36	1.2kg
KP-200A	200V AC	0.13A	120/minute	220V 30W	37	1.2kg

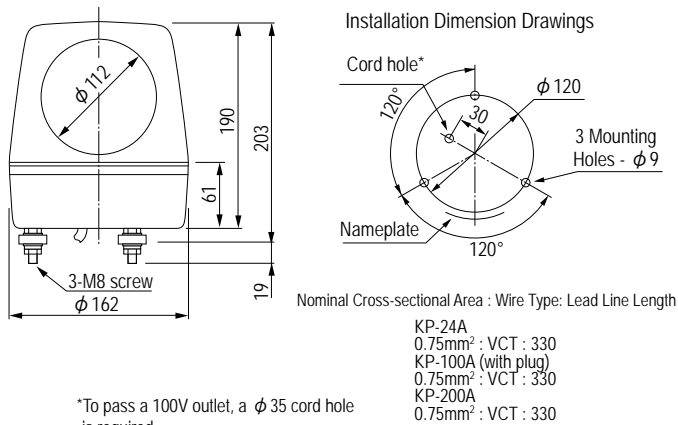
Light bulb form... 24V / Glass ball RP35 base BA15S 100V/200V Glass ball RP35 base BA15D
 Light bulb No. Model Light bulb No. Model
 2 D02403501-F1 37 D22003024-F1
 36 D12004024-F1
 *Light bulbs come in packs of 10.
 *Stock for some light bulbs may be limited, as products become discontinued. We ask for your understanding in this regard.

Optional Parts

For details, see pages 182 to 187.

Optional Parts	Model
Wallmount Bracket	SZ-023
Wallmount Bracket	SZ-008

Dimensions (mm)



SKL-A

SKL-CA model
 SKL-SA model (stainless steel)



Colors	Red, Amber, Green *, Blue*
Globe	Polycarbonate resin with superb shock resistance and heat resistance
Body	CA type: Steel plate (Coating) SA type: Non-rusting stainless steel (SUS 304)

The SKL Series features an 162mm diameter, comes in multiple voltage types, and automobile incandescent bulbs as a light source for high vibration resistance, ideal for moving vehicles.

- Automobile incandescent bulbs for high vibration resistance
- Weather resistant and corrosion proof body design
- Available colors: Red, Amber, Green, Blue

Specifications

Model	Rated Voltage	Current Consumption	Number of flashes	Bulb		Mass
					Number	
SKL-101CA	12V DC	2.6A	140/minute	12V 35W	1	1.3kg
SKL-101SA				24V 35W	2	
SKL-102CA	24V DC	1.2A	140/minute	24V 35W	2	1.4kg
SKL-102SA				48V 35W	5	
SKL-104CA	48V DC	0.8A	140/minute	48V 35W	5	1.4kg
SKL-110CA	100V AC	0.3A		120V 40W	36	1.5kg
SKL-110SA	200V AC	0.13A	220V 30W	37		
SKL-120CA	200V AC	0.13A	120/minute	220V 30W	37	1.5kg
SKL-120SA				24V AC	1.2A	

Light bulb shape... 12V/24V / Glass ball RP35 base BA15S 48V/100V/200V / Glass ball RP35 base BA15D
 Light bulb No. Model Light bulb No. Model
 2 D01203501-F1 36 D12004024-F1
 37 D22003024-F1
 *Light bulbs come in packs of 10.
 *Stock for some light bulbs may be limited, as products become discontinued. We ask for your understanding in this regard.

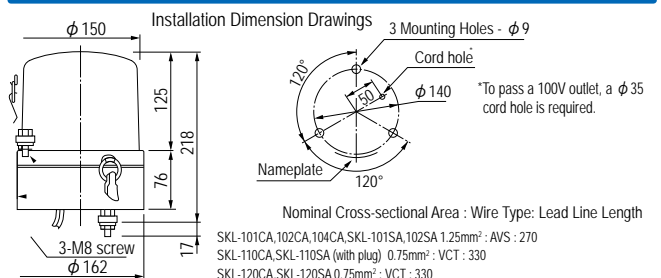
Optional Parts

For details, see pages 182 to 187.

Optional Parts	Model
Rubber cover that is compliant with external projection	HKM-001
Wallmount Bracket	SZ-023
Wallmount Bracket	SZ-008

*Using HKM-001, only SKL-101□A is compliant with external projection regulations.

Dimensions (mm)



SKC-A

Colors Red, Amber, Blue, Green

Globe The material is AS resin, which is translucent and highly weather resistant.

The SKC Series features an 187mm diameter, comes in multiple voltage types, and automobile incandescent bulbs as a light source for high vibration resistance, ideal for moving vehicles.

- Belt-drive rotation system for silent and stable signaling
- Weather resistant and corrosion proof body design
- Available colors: Red, Amber, Green, Blue



Specifications

Model	Rated Voltage	Current Consumption	Number of flashes	Bulb		Mass
					Number	
SKC-201A	12V DC	2.6A	200/minute	12V 35W	1	1.6kg
SKC-202A	24V DC	1.2A		24V 35W	2	
SKC-210A	100V AC	0.4A	160/minute	120V 40W	36	1.8kg
SKC-220A	200V AC	0.2A		220V 30W	37	

Light bulb shape... 12V/24V / Glass ball RP35 base BA15S 100V/200V Glass bulb RP35 Base BA15D

Light bulb No.	Model	Light bulb No.	Model
1	D01203501-F1	36	D12004024-F1
2	D02403501-F1	37	D22003024-F1

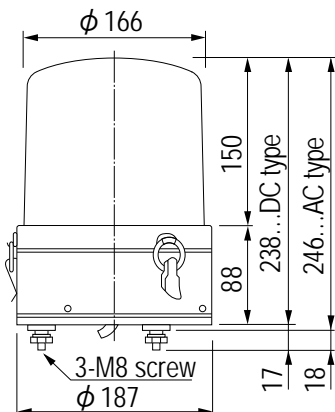
*Light bulbs come in packs of 10.
*Stock for some light bulbs may be limited, as products become discontinued. We ask for your understanding in this regard.

Optional Parts

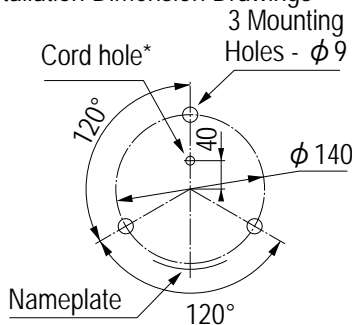
For details, see pages 182 to 187.

Optional Parts	Model
Wallmount Bracket	SZ-008

Dimensions (mm)



Installation Dimension Drawings



*To pass a 100V outlet, a φ 35 cord hole is required.

Nominal Cross-sectional Area: Wire Type: Lead Line Length

- SKC-201A,202A
1.25mm² : AVS : 250
- SKC-210A (with plug)
0.75mm² : VCT : 330
- SKC-220A
0.75mm² : VCT : 330

HP



IP23 186φ

Colors	Red, Amber, Blue
Globe	The material is AS resin, which is translucent and highly weather resistant.
Body	ABS resin

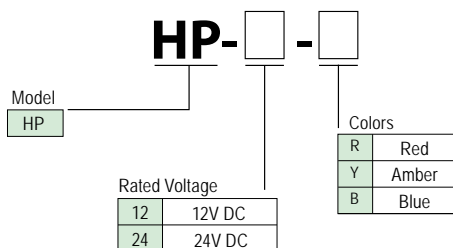
The HP Series features an 186mm diameter, comes in multiple voltage types, and halogen bulbs as a light source.

- Halogen bulb light source; more efficient than incandescent bulb types
- Durable, weather resistant, ABS structure
- Available colors: Red, Amber, Blue

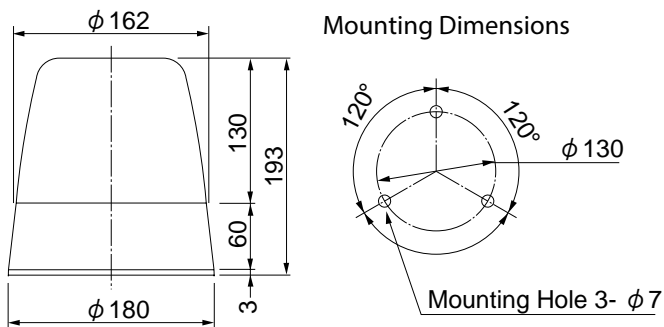
Specifications

Model	Rated Voltage	Halogen Bulb	Flash Rate (fpm)	Mass
		Bulb sold separately		
HP-12	12V/24V DC	0.5A	160	1.0kg
HP-24				

Model Code



Dimensions (mm)



Network

Signal Tower

Signal Light

Revolving Warning Light

Cube Tower

Audibles

Hybrid Signaling Devices

LED Illumination

Options

KG

Colors Red (KG-100 model only) Amber

Globe A polystyrene resin * that has superior weather resistance and translucency.

The KG Series features an 186mm diameter and comes in multiple voltage types, and incandescent bulbs as a light source.

- Belt-drive rotation system for silent and stable signaling
- Large, 2-sided reflecting mirror for intense rotating light flashing
- Weather resistant and corrosion proof body design
- Available colors: Red, Amber



IP23 186φ

Specifications

Model	Rated Voltage	Current Consumption	Number of flashes	Light bulb		Mass
					Number	
KG-12	12V DC	2.7A	180/minute	12V 35W	1	0.7kg
KG-24	24V DC	1.2A		24V 35W	2	
KG-100	100V AC	0.32A		120V 40W	36	0.9kg

Light bulb shape... 12V/24V / Glass ball RP35 Base BA15S 100V Glass ball RP35 Base BA15D

Light bulb No.	Model
1	D01203501-F1
2	D02403501-F1
36	D12004024-F1

*Light bulbs come in packs of 10.
*Stock for some light bulbs may be limited, as products become discontinued.

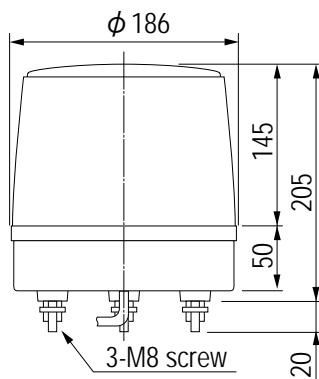
We ask for your understanding in this regard.

Optional Parts

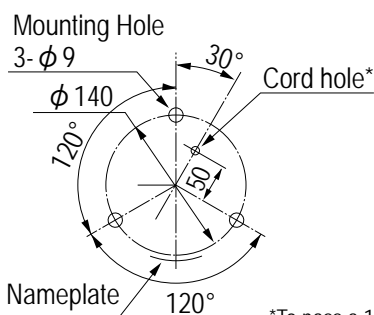
For details, see pages 182 to 187.

Optional Parts	Model
Wallmount Bracket	SZ-023
Wallmount Bracket	SZ-008

Dimensions (mm)



Installation Dimension Drawings



Nominal Cross-sectional Area : Wire Type: Lead Line Length

KG-12/24 : 1.75mm² : AV : 230
KG-100 (with plug): 0.75mm² : VCT : 450

*To pass a 100V outlet, a φ 30 or bigger cord hole is required.